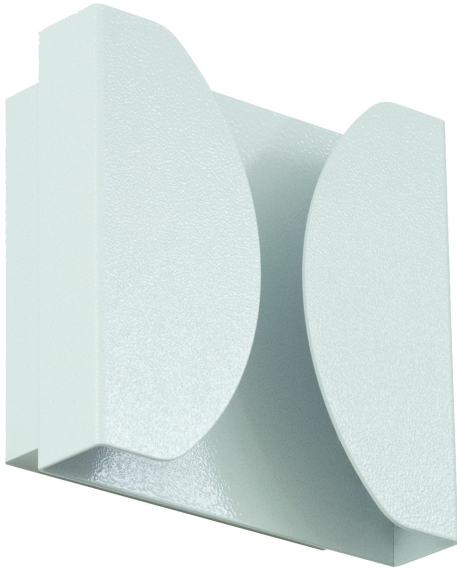
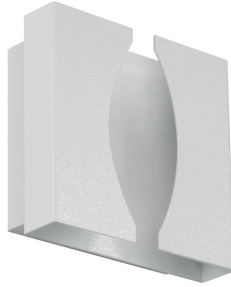


**CONCERTO LED**



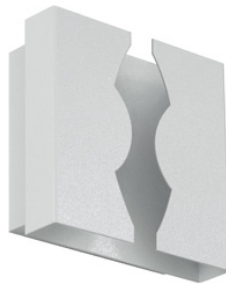
**STD**



**BHW**



**UDL**

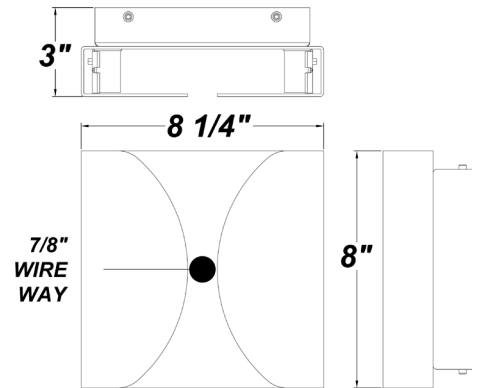


**VSR**

**FEATURES**

- Aluminum Fixture w/ Textured White Powder Coat Finish
- Aluminum Mounting Plate Mounts to Wall Surface (Centered Over And Attached to J-Box)
- Indirect Lighting Source
- Surge Protector
- CSA Listed Dry Location For Wall Mount
- ADA Compliant

Please Note: Darker Finishes May Reduce The LED Output. Textured White And Matte Silver Are Recommended for Maximum Light Output.



**ORDERING INFORMATION**

Example : (CTO - L8.2W - 120-277V - LT350 - BHW - TW - 40K) Textured White is Standard Finish

PRODUCT	SOURCE/WATTAGE	VOLTAGE	DRIVER	FASCIA	FINISH	OPTIONS
Concerto LED	L8.2 - (2) 4.1W Modules	120 - 277V (50 / 60 Hz)	LT350 - 350mA Trailing or Leading Edge Driver	STD - Standard BHW - BHW UDL - Up / Down Light VSR - VSR	TW - Textured White (Standard) SM - Matte Silver TB - Textured Black AC - Antique Copper AS - Antique Silver BT - Bronze Mist SN - Sand SW - Swedish Steel BZ - Textured Bronze MB - Metallic Black RAL Colors or Custom Match - Consult Factory	30K - 3000K Color Temp. 35K - 3500K Color Temp. 40K - 4000K Color Temp.



SOURCE/WATTAGE	30K SPECIFICATIONS
L8.2 - 4.1W Per LED Strip (2) 4.1W (9) LEDS / Modules - Constant Voltage 350 mA Driver - 11W Input	L8.2 30K - 3000K Color Temp. - 27 fV, Color Temp. = 3000K Nominal - 1244 LED Source Lumens - 113 LED Source Lumens Per Watt

**NOTES**

We reserve the right to revise the design or components of any product due to parts availability or change in UL standards, without assuming any obligation or liability to modify any products previously manufactured, and without notice.