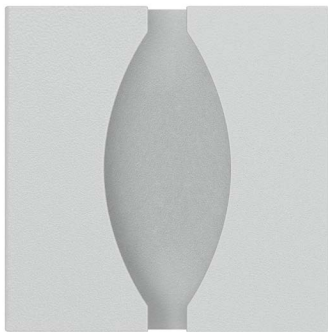


CONCERTO BHW LED

Architectural Indoor



PROJECT:	
TYPE:	
PO#:	QTY:
COMMENTS:	

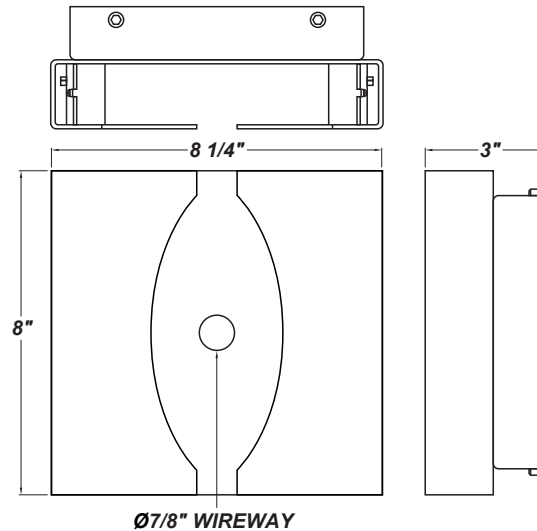


FEATURES

- Aluminum Fixture w/ Textured White Powder Coat Finish
- Aluminum Mounting Plate Mounts to Wall Surface (Centered Over And Attached to J-Box)
- Dimmable @ 120V
- Dimmable to 0%
- Estimated Lumen Depreciation (TM-21) 69% of Initial Lumens (L70) @ 100,000 hours
- Indirect Lighting Source
- LEDs Are Lensed And Not Exposed
- Surge Protector
- ADA Compliant
- CSA Listed Dry Location For Wall Mount
- LED Light Fixture

LINE DRAWING

LINE DRAWING NOT TO SCALE



FINISHES

Antique Copper	Antique Silver	Bronze Mist	Matte Silver	Metallic Black	Sand
Swedish Steel	Textured Black	Textured Bronze	Textured White		

For RAL Colors & Custom Match - Contact Teron Lighting Inc.

CONCERTO BHW LED

Architectural Indoor



Fixture Core

PROJECT:	
TYPE:	
PO#:	QTY:
COMMENTS:	

PRODUCT CODE	SOURCE/WATTAGE	VOLTAGE	DIMMING DRIVER
CTO - Concerto	L21.6-LT700 - 2x10.8W @ 700mA ELV Dimming Driver	120V 277V (50 / 60Hz)	Not Applicable
ORDER INFO			
CTO Example ^	L21.6-LT700	120V	Not Applicable

Aesthetics & Options

TRIM	FINISH	COLOR TEMP	OPTIONS
BHW	AC - Antique Copper AS - Antique Silver BT - Bronze Mist MB - Metallic Black SM - Matte Silver SN - Sand SW - Swedish Steel TB - Textured Black BZ - Textured Bronze TW - Textured White (Standard)	30K - 3000K Color Temp 35K - 3500K Color Temp 40K - 4000K Color Temp	Not Applicable
ORDER INFO			
BHW Example ^	AC	30K	Not Applicable

PROD	SOURCE	30K SPECS			
CTO	L21.6	<ul style="list-style-type: none"> • 30K - 3000K Color Temp • 1345 Source Lumens on The Top • 1345 Source Lumens on The Bottom • 2690 Total Source Lumens • 124.5 LED Source Lumens Per Watt 			

REPLACEMENT PART	PART NO	NOTES
Not Applicable	Not Applicable	Darker Finishes May Reduce The LED Output. Textured White And Matte Silver Are Recommended for Maximum Light Output. Don't see the configuration you are looking for? Call us today at (513) 858-6004



TERONLIGHTING.COM
 33 DONALD DR, FAIRFIELD, OH 45014
 P: 513.858.6004 F: 513.858.6038
 E: SALES@TERONLIGHT.COM



We reserve the right to revise the design components of any product due to parts availability or change in UL standards, without assuming any obligation or liability to modify any products previously manufactured, and without notice.