

LANDMARK T LED



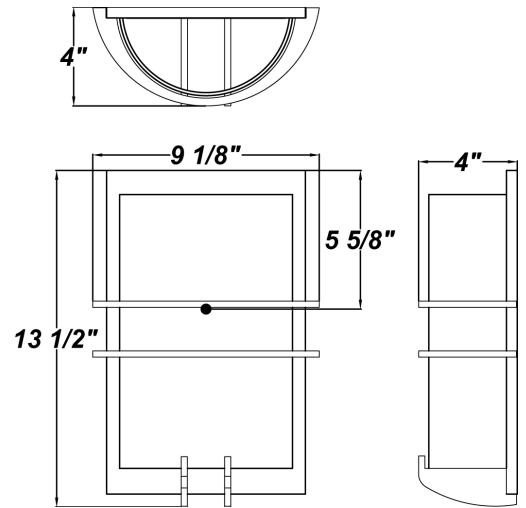
PROJECT :
TYPE :
ORDERING # :
COMMENTS :

FEATURES

- Steel Trim Accents w/ Matte Silver Powder Coat Finish
- Luminous White Acrylic Diffuser
- Aluminum Mounting Pan & Reflector
- Open Top & Bottom
- Mounts Directly to 4" Junction Box (By Others)
- Mounting Hardware Included
- ADA Compliant
- 277V 350mA Drivers Are Not Dimmable
- CSA Approved Dry Location For Wall Mounting

DIMMING FEATURES

- Dimmable to <5%
- Dimmable With Either Triac or Electronic Dimmers
- Over-Current, Over-Voltage, and Short Circuit Protection
- Constant Current at 350 Milliamps
- UL Class 2 Driver - Power Factor >.90
- Estimated 50,000 Hours Life (L70)



ORDERING INFORMATION

Example : (LNDT - L16.9 - 277V - LT350 - WAL - BT - 30K)

Matte Silver is Standard Finish

PRODUCT	SOURCE/WATTAGE	VOLTAGE	DRIVER OPTIONS	DIFFUSER	FINISH	OPTIONS
Landmark T (LNDT) (13 1/2" Fixture)	L16.9 - (4) 4.2W (11) LED Strips	120V - 120V 277V - 277V (50 / 60Hz)	LT350 - 350mA Trailing or Leading Edge Driver (For 16.9W) (120 - 277V) (Dimmable @120V Only)	WAL - White Acrylic	SM - Matte Silver TB - Textured Black AC - Antique Copper AS - Antique Silver BT - Bronze Mist SN - Sand SW - Swedish Steel BZ - Textured Bronze TW - Textured White MB - Metallic Black RAL Colors or Custom Match - Consult Factory	27K - 2700K Color Temperature 30K - 3000K Color Temperature 35K - 3500K Color Temperature 40K - 4000K Color Temperature F - Fused

NOTES

We reserve the right to revise the design or components of any product due to parts availability or change in UL standards, without assuming any obligation or liability to modify any products previously manufactured, and without notice.

REPLACEMENT PARTS PART NO.

White Acrylic Diffuser 3041560



SOURCE/WATTAGE 30K SPECIFICATIONS

L16.9 - (4) 4.2W (11) LED Strips - Constant Current @350mA - 16.9 Input Watts 50,000 Hours(L70)	16.9W LED ARRAY 30K - 3000K Color Temp. - 80 CRI Typ. -1740 LED Source Lumens - 103 LED Source Lumens Per Watt
--	---