

LANDMARK M LED

Architectural Indoor



PROJECT:	
TYPE:	
PO#:	QTY:
COMMENTS:	

FEATURES

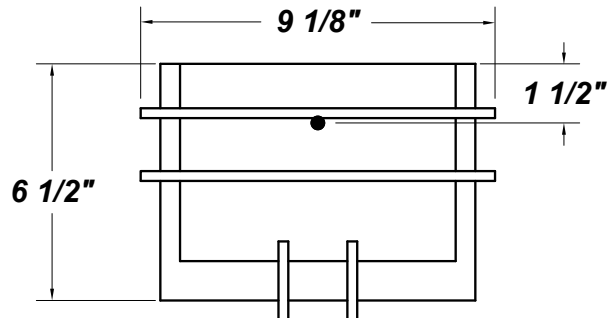
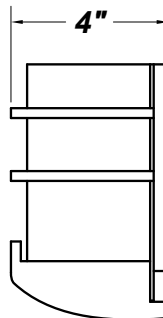
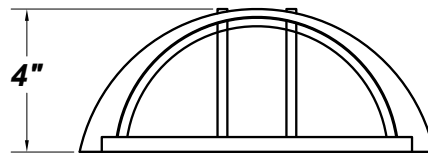
- Steel Trim Accents w/ Matte Silver Powder Coat Finish
- Luminous White Acrylic Diffuser
- Aluminum Mounting Pan & Reflector
- Open Top & Bottom
- Mounts Directly to 4" Junction Box (By Others)
- ADA Compliant
- CSA Listed Dry Location For Wall Mounting
- LED Light Fixture
- Mounting Hardware Included



LINE DRAWING

LINE DRAWING NOT TO SCALE

TOP/BOTTOM VIEW



FINISHES

Antique Copper	Antique Silver	Bronze Mist	Matte Silver	Metallic Black	Sand
Swedish Steel	Textured Black	Textured Bronze	Textured White		

For RAL Colors & Custom Match - Contact Teron Lighting Inc.

LANDMARK M LED

Architectural Indoor



Fixture Core

PROJECT:	
TYPE:	
PO#:	QTY:
COMMENTS:	

PRODUCT CODE	SOURCE/WATTAGE	VOLTAGE	DIMMING DRIVER
LNDM - Landmark M	L11.5-350mA - 11.5W @350mA Constant Current	120V - 120V 277V - 277V (50 / 60Hz)	Not Applicable
ORDER INFO			
LNDM Example ^	L11.5-350mA	120V - 120V	Not Applicable

Aesthetics & Options

TRIM	FINISH	COLOR TEMP	OPTIONS
Not Applicable	AC - Antique Copper AS - Antique Silver BT - Bronze Mist MB - Metallic Black SM - Matte Silver SN - Sand SW - Swedish Steel (Standard) TB - Textured Black BZ - Textured Bronze TW - Textured White	27K - 2700K Color Temp 30K - 3000K Color Temp 35K - 3500K Color Temp 40K - 4000K Color Temp	F - Fused
ORDER INFO			
Not Applicable Example ^	AC	27K	F

PROD	SOURCE	30K SPECS				
LNDM	L11.5	<ul style="list-style-type: none"> 80 CRI Typ. 1740 LED Source Lumens 151.3 LED Source Lumens Per Watt 				

REPLACEMENT PART	PART NO	NOTES
White Acrylic Diffuser	3033660	
		Don't see the configuration you are looking for? Call us today at (513) 858-6004



TERONLIGHTING.COM
 33 DONALD DR, FAIRFIELD, OH 45014
 P: 513.858.6004 F: 513.858.6038
 E: SALES@TERONLIGHT.COM



We reserve the right to revise the design components of any product due to parts availability or change in UL standards, without assuming any obligation or liability to modify any products previously manufactured, and without notice.