

CHAPARRAL SM LED

Architectural Outdoor



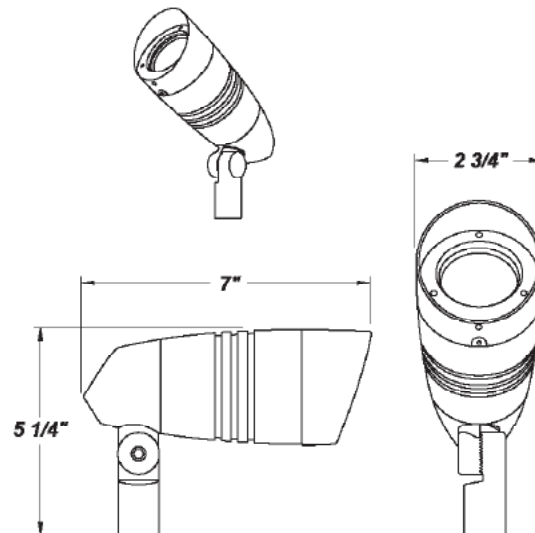
PROJECT:	
TYPE:	
PO#:	QTY:
COMMENTS:	

FEATURES

- Cast Aluminum Housing with Polyester Powder Coat Finish
- Reinforced Knuckle Design
- Water Draining Front End
- Integrated Cowl
- Integrated 4kv Surge Protection
- IP66 Rated - Dust and Waterproof
- Single LED Chip-on-Board Light Source
- Center-to-Edge Uniformity and Enhanced Beam Control
- Three-Step Binning For Tight Color Consistency
- 6 Year Limited Warranty
- LED Light Fixture
- UL Listed Wet Location
- Vandal Resistant

LINE DRAWING

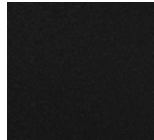
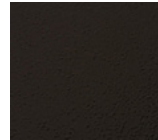
LINE DRAWING NOT TO SCALE



FINISHES

Textured
Architectural
Bronze

Textured
Black



CHAPARRAL SM LED

Architectural Outdoor



Fixture Core

PROJECT:	
TYPE:	
PO#:	QTY:
COMMENTS:	

PRODUCT CODE	SOURCE/WATTAGE	VOLTAGE	DIMMING DRIVER
CHL - Chaparral	L5.3 - 5.3W LED Fixture L10.0 - 10.0W LED Fixture	120 - 277V	Not Applicable
ORDER INFO			
CHL	L5.3	120	Not Applicable

Example ^ (may not represent a manufacturable product)

Aesthetics & Options

TRIM	FINISH	COLOR TEMP	OPTIONS
SPOT - 15° Beam Spread MFL - 40° Beam Spread WFL - 55° Beam Spread	BZ - Textured Architectural Bronze TB - Textured Black	30K - 3000K Color Temp. 40K - 4000K Color Temp.	BKTJB - Junction Box Mounting Bracket (Specify Finish - BZ or TB) PRPT - 2.25" ID PVC Power Post w/ Stabilizer SMF - Surface Mounting Flange (Specify Finish - BZ or TB) ST12 - 12" Stem (Specify - BZ or TB) ST18 - 18" Stem (Specify - BZ or TB) ST24 - 24" Stem (Specify - BZ or TB)
ORDER INFO			
SPOT	BZ	30K	BKTJB

Example ^ (may not represent a manufacturable product)

PROD	SOURCE	30K SPECS	40K SPECS			
CHL	L5.3	<ul style="list-style-type: none"> 30K - 3000K Color Temp 425 Delivered Lumens 80 Delivered Lumens Per Watt 	<ul style="list-style-type: none"> 40K - 4000K Color Temp 425 Delivered Lumens 80 Delivered Lumens Per Watt 			
	L10.0	<ul style="list-style-type: none"> 30K - 3000K Color Temp 750 Delivered Lumens 75 Delivered Lumens Per Watt 	<ul style="list-style-type: none"> 40K - 4000K Color Temp 750 Delivered LED Lumens 75 Delivered LED Lumens Per Watt 			

REPLACEMENT PART	PART NO	NOTES
Not Applicable	Not Applicable	Don't see the configuration you are looking for? Call us today at (513) 858-6004



TERONLIGHTING.COM
 33 DONALD DR, FAIRFIELD, OH 45014
 P: 513.858.6004 F: 513.858.6038
 E: SALES@TERONLIGHT.COM

We reserve the right to revise the design components of any product due to parts availability or change in UL standards, without assuming any obligation or liability to modify any products previously manufactured, and without notice.