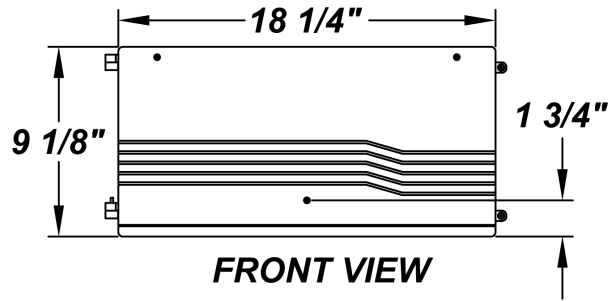
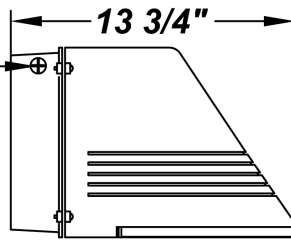


**CADDY LG**



**0.50" Conduit Entries  
One Each on Right Side,  
Top, Back, And Bottom  
of Housing**



PROJECT :
TYPE :
ORDERING # :
COMMENTS :

**FEATURES**

- Die-Cast Aluminum Housing w/ Textured Bronze Polyester Powder Coat Finish
- Tempered Clear Glass Diffuser
- Aluminum Hammertone Reflectors
- Fully Gasketed
- Mounts Direct to Flat Surface w/Three #8 Wall Anchors (Not Included)
- Lamps Included
- Integral EM Battery Available
- CSA Listed Wet Location For Wall Mount

**ORDERING INFORMATION**

Example : (CDL226X - 120E - 27K)

Textured Bronze is Standard Finish

PRODUCT	SOURCE/WATTAGE	VOLTAGE	DIFFUSER	FINISH	OPTIONS
Caddy LG	CDL132X - (1) 32W TBX CDL142X - (1) 42W TBX CDL157X - (1) 57W TBX CDL170X - (1) 70W TBX CDL226X - (2) 26W TBX CDL232X - (2) 32W TBX CDL242X - (2) 42W TBX	120E - Electronic 120V 277E - Electronic 277V	Not Applicable	SM - Matte Silver TB - Textured Black AC - Antique Copper AS - Antique Silver BT - Bronze Mist SN - Sand SW - Swedish Steel BZ - Textured Bronze TW - Textured White MB - Metallic Black  RAL Colors or Custom Match - Consult Factory	41K - 4100K Color Temp.* 35K - 3500K Color Temp.* 30K - 3000K Color Temp.* 27K - 2700K Color Temp.* (Standard) PCL - Photocell F - Fused EBW / EBC - Integral Emergency Battery** (2x42W Maximum) EBR - Remote Mount Battery (Field Installed)** W2L - Wire 2 Lamps to Integral Emergency Battery (2x26W Maximum) MSP - Program Start Ballast (Recommended for Motion Sensor)***

**REPLACEMENT PARTS**

**PART NO.**

Clear Glass Diffuser

37050

We reserve the right to revise the design or components of any product due to parts availability or change in UL standards, without assuming any obligation or liability to modify any products previously manufactured, and without notice.

**NOTES**

**\*Fluorescent Only**

**\*\*Emergency Battery Options**

Initial light output in Emergency mode will last for a minimum of 90 minutes. 1 lamp wired unless ordered otherwise. The following are suitable for indoor and damp locations. Please refer to Bodine's specification sheet  
**EBW:** Bodine's B94G (Electronic) - Temperature Rating (Ambient) 32° F - 131° F  
**EBC:** Bodine's B4CF1 (Electronic) - Temperature Rating (Ambient) -4° F - 131° F  
**EBR:** Bodine's B94CG (Electronic) - Temperature Rating (Ambient) 32° F - 122° F

\*\*\* For Electronic Wattage Fixtures Being Used in Conjunction With an Occupancy Sensor (Either Provided by us, or Your Own System), a Program Start Ballast is Recommended in Order to Maximize Lamp Life.

