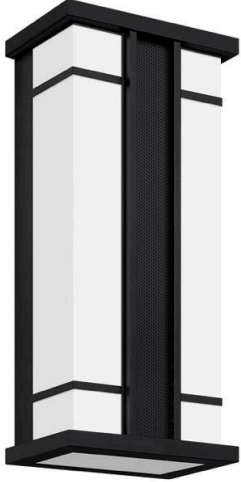


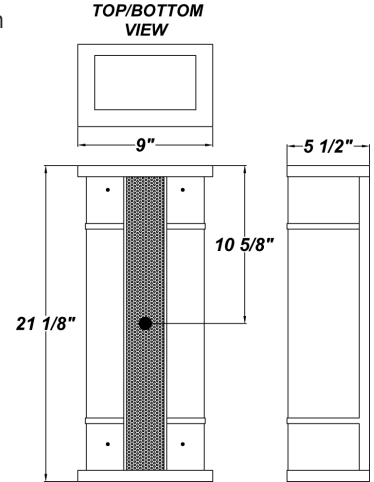
ALLEGRO W PRF LED



PROJECT :
TYPE :
ORDERING # :
COMMENTS :

FEATURES

- Aluminum Housing w/ Textured Black Polyester Powder Coat Finish
- Aluminum End Caps & Trim Bars w/ Textured Black Polyester Powder Coat Finish
- Aluminum Mount Pan w/ Hi-Reflectance White Powder Coat Finish
- Luminous White Acrylic Wrap-Around Diffuser
- Luminous White Acrylic Top and Bottom Lens Panels
- Mounts Over 4" Junction Box w/ Easy-hang Wall Mounting Plate (Included)
- CSA Approved For Wet Location For Vertical Mounting



ORDERING INFORMATION

Example : (ALLW-PRF - L38.0 - 120-277V - ZE1400 - WAL - TB - 35K)

Textured Black is Standard Finish

PRODUCT	SOURCE/WATTAGE	VOLTAGE	DRIVER OPTIONS	DIFFUSER	FINISH	OPTIONS
Allegro W PRF (ALLW-PRF)	L38.0 - (4) 8.1W (18) LED Modules & (4) 4.1W (9) LED Modules	120 - 277V (50 / 60Hz)	TE1400 - 60W @ 1400mA ELV Constant Current Dimming Electronic Driver (For L38.0)	WAL - White Acrylic Lens	SM - Matte Silver TB - Textured Black AC - Antique Copper AS - Antique Silver BT - Bronze Mist SN - Sand SW - Swedish Steel BZ - Textured Bronze TW - Textured White MB - Metallic Black RAL Colors or Custom Match - Consult Factory	30K - 3000K Color Temperature 35K - 3500K Color Temperature 40K - 4000K Color Temperature F - Fused TP - Tamper-Proof Screw Set
	L31.0 - (3) 8.1W (18) LED Modules & (3) 4.1W (9) LED Modules		ZE1400 - 50W @1400mA Constant Current Dimming Electronic Driver (Dimmable 0-10V) (For L38.0)			
	L24.0 - (2) 8.1W (18) LED Modules & (2) 4.1W (9) LED Modules		ZE1150 - 44W @ 1150mA Constant Current Dimming Electronic Driver (Dimmable 0-10V) (For L31.0)			
	L19.0 - (2) 8.1W (18) LED Modules & (2) 4.1W (9) LED Modules		ZE875 - 33W @ 875mA Constant Current Dimming Electronic Driver (Dimmable 0-10V) (For L24.0)			
	L36.0-6.0 - (4) 12.0W (22) LED Modules & (4) 6.0W (11) LED Modules w/ 6.0W Emergency Driver (Only Available for L36.0) L70 life time for 50,000hr		ZE700 - 30W @ 700mA Constant Current Dimming Electronic Driver (Dimmable 0-10V) (For L19.0) ZE1100 - 36W @ 1100mA Constant Current Dimming Electronic Driver (Dimmable 0-10V) (For L36.0)			

REPLACEMENT PARTS PART NO.

White Acrylic Lens Assembly 9801460

NOTES

We reserve the right to revise the design or components of any product due to parts availability or change in UL standards, without assuming any obligation or liability to modify any products previously manufactured, and without notice.





PROJECT :
TYPE :
ORDERING # :
COMMENTS :

SOURCE/WATTAGE	30K SPECIFICATIONS
L38 - 38.0W LED Modules - Constant Current 1150 Milliamps Driver - 38W Input	<hr/> L38.0 30K - 3000K Color Temp. - 27 fV, Color Temp = 3000K Nominal - 6956 LED Source Lumens - 183.1 LED Source Lumens Per Watt
L31 - 31.0W LED Modules - Constant Current 1150 Milliamps Driver - 31W Input	<hr/> L31.0 30K - 3000K Color Temp. - 27 fV, Color Temp = 3000K Nominal - 5217 LED Source Lumens - 168.3 LED Source Lumens Per Watt
L24 - 24.0W LED Modules - Constant Current 875 Milliamps Driver - 24W Input	<hr/> L24.0 30K - 3000K Color Temp. - 27 fV, Color Temp = 3000K Nominal - 4348 LED Source Lumens - 181.1 LED Source Lumens Per Watt
L19 - 19.0 LED Modules - Constant Current 700 Milliamps Driver - 19W Input	<hr/> L19 30K - 3000K Color Temp. - 27 fV, Color Temp = 3000K Nominal - 3478 LED Source Lumens - 183.1 LED Source Lumens Per Watt
L36.0-6.0 - 36.0 LED Modules - Constant Current 1100 Milliamps Driver - 36W Input	<hr/> L38 30K - 3000K Color Temp. - 27 fV, Color Temp = 3000K Nominal - 5465 LED Source Lumens - 151.8 LED Source Lumens Per Watt

