



**INSTALLATION & MAINTENANCE INSTRUCTIONS
FOR THE
LANDMARK- LED
P.N. 76187
INDOOR SERIES**

NOTE: THIS PRODUCT MUST BE INSTALLED IN ACCORDANCE WITH THE APPLICABLE LOCAL & NATIONAL ELECTRICAL CODES BY A PERSON FAMILIAR WITH THE CONSTRUCTION AND FAMILIAR WITH THE OPERATION OF THE PRODUCT AND HAZARDS INVOLVED.

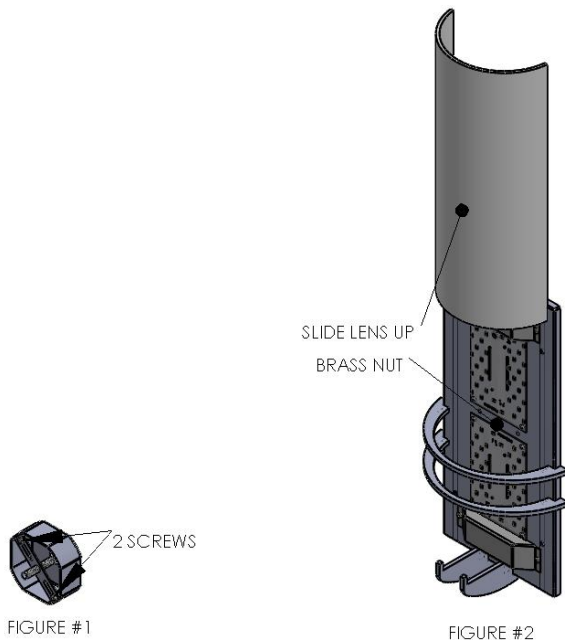


FIGURE #1

FIGURE #2

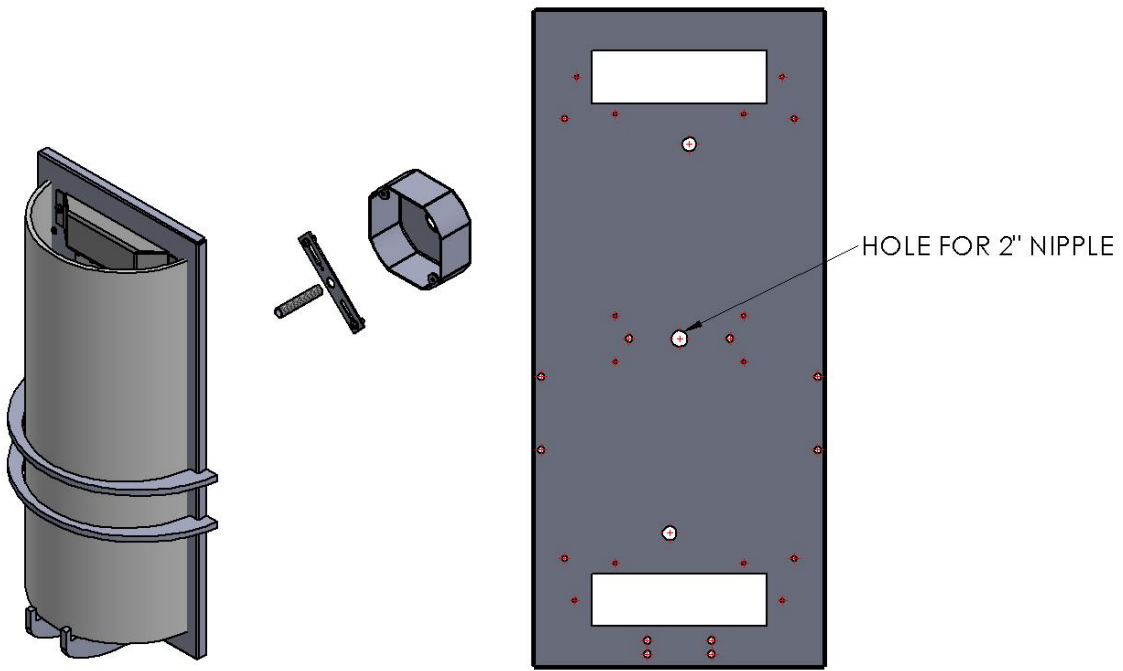
INSTALLATION

1. *Make sure the power to the area working in is shut off to avoid serious injury from shock.*
2. *Remove any excess packing from the fixture.*
3. *This fixture is designed to be mounted to a 4" junction box (supplied by customer). Open the housing assembly by removing the lens (see figure #2).*
4. *Insert two screws (supplied by customer) holding the crossbar plate to the junction box. The 1/8" IPS 2" nipple should be threaded into the crossbar see figure #1. (4" junction box supplied by customer)*
5. *Complete the wiring to the power source and ground. The black as line; white as common; bare/green as ground. Wire connections to be made inside of junction box.*
7. *Line up the fixture and the 1/8" IPS 2" nipple, then place the fixture flush with the wall and insert the nut on the nipple and tighten the nut until the fixture is flush with the wall.*
8. *Slide the lens back down into the Landmark.*

MAINTENANCE

The fixture can be wiped clean as needed using a mild soap solution.

ATTENTION: *Avoid moving any exposed wires. If any wires are accidentally disconnected, call a professional to repair.*



WIRING DIAGRAM

