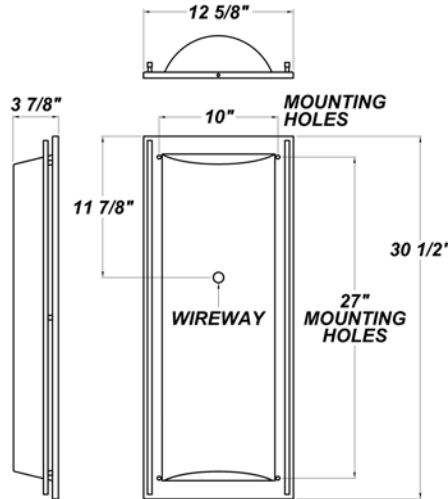


ARCHITECTURAL OUTDOOR

ZENITH W LG TBS



COMPACT FLUORESCENT



PROJECT :
TYPE :
ORDERING # :
COMMENTS :

FEATURES

- Aluminum Trim w/ Matte Silver Powder Coat Finish
- Aluminum Mounting Pan w/ High Reflectance White Powder Coat Finish
- White 75% DR Acrylic Lens
- Mounts Direct to 4" Junction Box w/ 4 Wall Anchors (By Others) (Not Included)
- Integral EM Battery Available (2x39W Maximum)
- Lamps Included
- CSA Listed Wet Location

ORDERING INFORMATION

Example : (ZENL - TBS - F239E - 120E - SM - 41K - EB)

Matte Silver is Standard Finish

PRODUCT	SOURCE/WATTAGE	VOLTAGE	DIFFUSER	FINISH	OPTIONS
Zenith W LG - TBS	F139E - (1) 39W 4-Pin Biax** F140E - (1) 40W 4-Pin Biax** F239E - (2) 39W 4-Pin Biax** F240E - (2) 40W 4-Pin Biax F255E - (2) 55W 4-Pin Biax	120E - 120V Electronic 277E - 277V Electronic	Not Applicable	SM - Matte Silver TB - Textured Black AC - Antique Copper AS - Antique Silver BT - Bronze Mist SN - Sand SW - Swedish Steel BZ - Textured Bronze TW - Textured White MB - Metallic Black RAL Colors or Custom Match - Consult Factory	41K - 4100K Color Temp. (Standard) 35K - 3500K Color Temp. 30K - 3000K Color Temp. F - Fused DIM - Dimming Ballast (1 or 2 39W FT Only) EBW / EBC - Integral Emergency Battery (2x39W Max)** EBR - Remote Mount Battery (Field Installed)** MSP - Program Start Ballast (Recommended for Motion Sensor) ***

REPLACEMENT PARTS

PART NO.

White 75% DR Acrylic Lens	3051260
---------------------------	---------

We reserve the right to revise the design or components of any product due to parts availability or change in UL standards, without assuming any obligation or liability to modify any products previously manufactured, and without notice.

ARRA 2009



BUY AMERICA ACT



NOTES

**Emergency Battery Options

Initial light output in Emergency mode will last for a minimum of 90 minutes. 1 lamp wired unless ordered otherwise. The following are suitable for indoor and damp locations. Please refer to Bodine's specification sheet
EBW: Bodine's B94G (Electronic) - Temperature Rating (Ambient) 32 F - 131 F
EBC: Bodine's B4CF1 (Electronic) - Temperature Rating (Ambient) -4 F - 131 F
EBR: Bodine's B94CG (Electronic) - Temperature Rating (Ambient) 32 F - 122 F

*** For Electronic Wattage Fixtures Being Used in Conjunction With an Occupancy Sensor (Either Provided by us, or Your Own System), a Program Start Ballast is Recommended in Order to Maximize Lamp Life.