

# VICEROY LG UDL LED 48"

Architectural Indoor



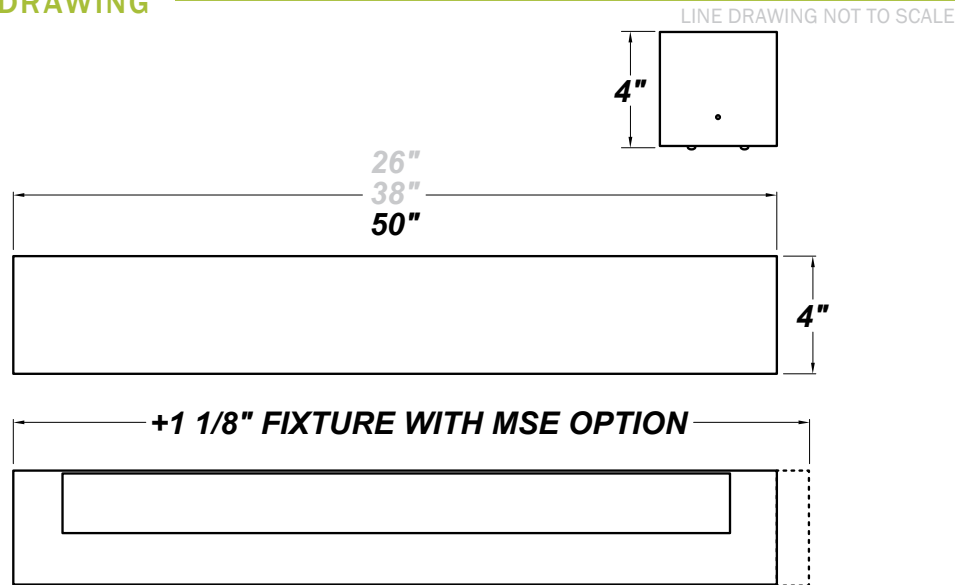
PROJECT:	
TYPE:	
PO#:	QTY:
COMMENTS:	

## FEATURES

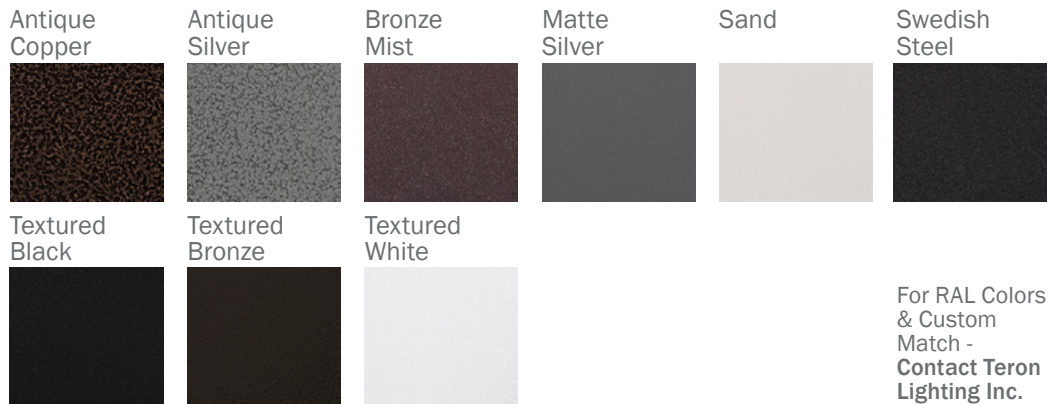
- ADA Compliant
- CSA Listed Damp Location For Wall or Ceiling Mount
- Clear Acrylic Outer Diffuser
- Knockouts on Back Accept Standard Electrical Fittings (By Others)
- LED Light Fixture
- L70 Life Time For 50,000hr
- Matte White Acrylic Inner Diffuser
- Mounts Directly to Surface with Two Wall Anchors (Not Included) Over a 2" Junction Box (Not Included)
- 0-10V and Trailing Edge (ELV) Dimming Compatible Options Available
- Over-Voltage, Over-Current, and Short-Circuit Protection with Auto Recovery
- Steel Housing with Matte Silver Powder Coat Finish



## LINE DRAWING



## FINISHES



# VICEROY LG UDL LED 48"

Architectural Indoor



Fixture Core

PROJECT:	
TYPE:	
PO#:	QTY:
COMMENTS:	

PRODUCT CODE	SOURCE/WATTAGE	VOLTAGE	DIMMING DRIVER
<b>VCYL48</b> - Viceroy LG 48"	<b>L34.7-TE950</b> - 34.7W LED Strip(s) @ 950mA ELV Dimming Driver  <b>L38.3-ZE1050</b> - 38.3W LED Strip(s) @ 1050mA Line Voltage 4-Wire Dimming Driver (Dimmable 0 - 10V)	<b>120-277V</b>  <b>347V</b>	<b>Not Applicable</b>
ORDER INFO			
VCYL48 Example ^	L34.7-TE950	120-277V	Not Applicable

Aesthetics & Options

TRIM	FINISH	COLOR TEMP	OPTIONS
<b>UDL</b>	<b>AC</b> - Antique Copper <b>AS</b> - Antique Silver <b>BT</b> - Bronze Mist <b>BZ</b> - Textured Bronze <b>SM</b> - Matte Silver (Standard) <b>SN</b> - Sand  <b>SW</b> - Swedish Steel <b>TB</b> - Textured Black <b>TW</b> - Textured White	<b>30K</b> - 3000K Color Temp <b>35K</b> - 3500K Color Temp <b>40K</b> - 4000K Color Temp <b>50K</b> - 5000K Color Temp	<b>EB</b> - Integral Emergency Battery (120V - 277V Only) <b>EBR</b> - Remote Mount Battery (Field Installed) <b>F</b> - Fused (120V / 277V Only) <b>JBC</b> - Junction Box Cover <b>TP</b> - Tamper Resistant Screws
ORDER INFO			
UDL Example ^	AC	30K	EB

PROD	SOURCE				
<b>VCYL48</b>	L34.7	<ul style="list-style-type: none"> <li>30K - 3000K Color Temp</li> <li>4722 LED Source Lumens</li> <li>136.1 LED Source Lumens Per Watt</li> </ul>			
	L38.3	<ul style="list-style-type: none"> <li>30K - 3000K Color Temp</li> <li>5219 LED Source Lumens</li> <li>136.3 LED Source Lumens Per Watt</li> </ul>			

REPLACEMENT PART	PART NO	NOTES
4' Lens Assembly	38098	
		Don't see the configuration you are looking for? Call us today at (513) 858-6004



**TERONLIGHTING.COM**  
 33 DONALD DR, FAIRFIELD, OH 45014  
 P: 513.858.6004 F: 513.858.6038  
 E: SALES@TERONLIGHT.COM



We reserve the right to revise the design components of any product due to parts availability or change in UL standards, without assuming any obligation or liability to modify any products previously manufactured, and without notice.