

VICEROY LG HRS LED 36"

Architectural Indoor



| | |
|-----------|------|
| PROJECT: | |
| TYPE: | |
| PO#: | QTY: |
| COMMENTS: | |



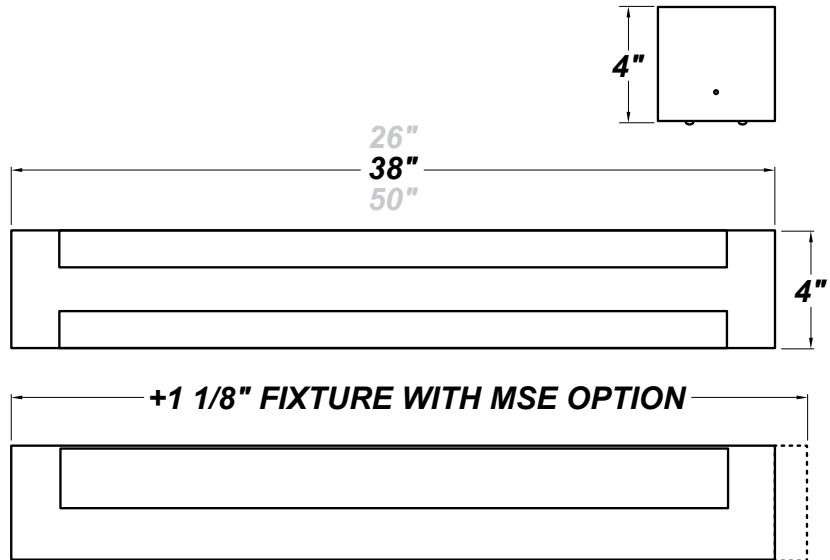
FEATURES

- ADA Compliant
- CSA Listed Damp Location For Wall or Ceiling Mount
- Clear Acrylic Outer Diffuser
- Knockouts on Back Accept Standard Electrical Fittings (By Others)
- LED Light Fixture
- L70 Life Time For 50,000hr
- Matte White Acrylic Inner Diffuser
- Mounts Directly to Surface with Two Wall Anchors (Not Included) Over a 2" Junction Box (Not Included)
- 0-10V and Trailing Edge (ELV) Dimming Compatible Options Available
- Over-Voltage, Over-Current, and Short-Circuit Protection with Auto Recovery
- Steel Housing with Matte Silver Powder Coat Finish

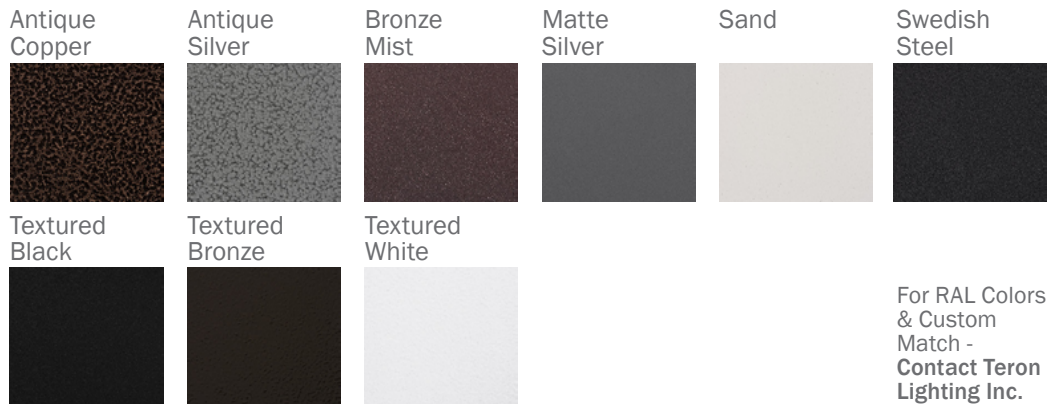


LINE DRAWING

LINE DRAWING NOT TO SCALE



FINISHES



VICEROY LG HRS LED 36"

Architectural Indoor



Fixture Core

| | |
|-----------|------|
| PROJECT: | |
| TYPE: | |
| PO#: | QTY: |
| COMMENTS: | |

| PRODUCT CODE | SOURCE/WATTAGE | VOLTAGE | DIMMING DRIVER |
|-------------------------|--|------------------|----------------|
| VCYL36 - Viceroy LG 36" | L27.2-ZE800 - 38.3W LED Strip(s) @ 800mA Line Voltage 4-Wire Dimming Driver (Dimmable 0 - 10V) | 120-277V 347V | Not Applicable |
| ORDER INFO | | | |
| VCYL36 Example ^ | L27.2-ZE800 | 120-277V | Not Applicable |

Aesthetics & Options

| TRIM | FINISH | COLOR TEMP | OPTIONS |
|------------------|--|--|---|
| HRS | AC - Antique Copper AS - Antique Silver BT - Bronze Mist BZ - Textured Bronze SM - Matte Silver (Standard) SN - Sand SW - Swedish Steel TB - Textured Black TW - Textured White | 30K - 3000K Color Temp 35K - 3500K Color Temp 40K - 4000K Color Temp 50K - 5000K Color Temp | EB - Integral Emergency Battery (120V - 277V Only) EBR - Remote Mount Battery (Field Installed) F - Fused (120V / 277V Only) JBC - Junction Box Cover TP - Tamper Resistant Screws |
| ORDER INFO | | | |
| HRS Example ^ | AC | 30K | EB |

| PROD | SOURCE | 30K SPECS | | | |
|--------|--------|--|--|--|--|
| VCYL36 | L27.2 | <ul style="list-style-type: none"> 30K - 3000K Color Temp 3976 LED Source Lumens 146.2 LED Source Lumens Per Watt | | | |

| REPLACEMENT PART | PART NO | NOTES |
|------------------|---------|-------|
| 3' Lens Assembly | 38097 | |

Don't see the configuration you are looking for?
Call us today at (513) 858-6004



TERONLIGHTING.COM
33 DONALD DR, FAIRFIELD, OH 45014
P: 513.858.6004 F: 513.858.6038
E: SALES@TERONLIGHT.COM



We reserve the right to revise the design components of any product due to parts availability or change in UL standards, without assuming any obligation or liability to modify any products previously manufactured, and without notice.