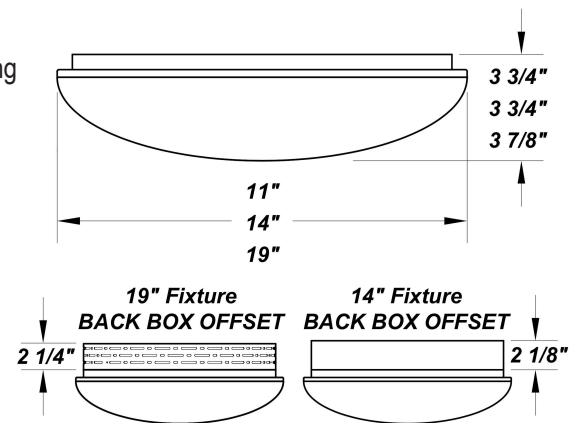


FAULTLESS LED

PROJECT :
TYPE :
ORDERING # :
COMMENTS :

FEATURES

- Aluminum Mounting Pan w/ Hi-Reflectance White Powder Coat Finish
- Luminous White Acrylic Diffuser
- Mounts Directly to 4" Junction Box (By Others)
- Mounting Hardware Included
- ADA Compliant
- CSA Listed Damp Location Wall & Ceiling (Ceiling Mount Only w/ Back Box)
- IES Files Available



ORDERING INFORMATION

Example : (FS - L21.0 - ZE700 - WLL - SN - 30K) White is Standard Finish

FS

PRODUCT	SOURCE/WATTAGE	VOLTAGE	DRIVER OPTIONS	DIFFUSER	FINISH	OPTIONS
Faultless 11" Fixture	L13.0 - (48) LED Array	120 - 277V (50 / 60Hz)	ZE560 - Line Voltage 4-Wire 0-10V Dimming Driver (For L13.0 & 16.3 Only)	WAL - White Acrylic WLL - White Acrylic Formulated For LED Fixtures (11" & 14" Fixtures Only) WPL - White Polycarbonate	SM - Matte Silver TB - Textured Black AC - Antique Copper AS - Antique Silver BT - Bronze Mist SN - Sand SW - Swedish Steel BZ - Textured Bronze TW - Textured White MB - Metallic Black RAL Colors or Custom Match - Consult Factory	27K - 2700K Color Temperature 30K - 3000K Color Temperature 35K - 3500K Color Temperature 40K - 4000K Color Temperature MSI - MSI-FM105 120/277V TP - Tamper-Proof Screw Set F - Fused EB/BB - Bodine BSL26 - Up to 5.1W Emergency Illumination With LEDs (Back Box Required) (14" & 19" Fixtures Only) - AC Mode 960 Lumens - Battery @ 1 second = 322 Total Lumens - Battery @ 90 Minutes = 291 Total Lumens (Please Specify Voltage) BB - Back Box for 14" or 19" Fixture See Pg. 2 For Wattage Specifications And 30K Lumen Output Data
Faultless 14" Fixture	L13.0 - (48) LED Array L16.3 - (60) LED Array L21.0 - (60) LED Array		ZE700 - Line Voltage 4-Wire 0-10V Dimming Driver (For L21.0 Only)			
Faultless 19" Fixture	L21.0-19H - (60) LED Array L30.0 - (80) LED Array L37.5 - (120) LED Array		ZE1000 - Line Voltage 4-Wire 0-10V Dimming Driver (For L30.0 Only) ZE1050 - Line Voltage 4-Wire 0-10V Dimming Driver (For L37.5 Only)			

REPLACEMENT PARTS PART NO.

11" White Acrylic Diffuser	3021160
14" White Acrylic Diffuser	3021460
19" White Acrylic Diffuser	3019960
11" White Acrylic LED Diffuser	3053260
14" White Acrylic LED Diffuser	3053360

NOTES

We reserve the right to revise the design or components of any product due to parts availability or change in UL standards, without assuming any obligation or liability to modify any products previously manufactured, and without notice.





PROJECT :
TYPE :
ORDERING # :
COMMENTS :

PRODUCT	SOURCE/WATTAGE	30K SPECIFICATIONS
Faultless 11" & 14" (With WAL Standard Lens)	L13.0 - (48) LED Array - Constant Current @560mA - 15.0 Input Watts 50,000 Hours(L70)	13.0 LED ARRAY 30K - 3000K Color Temp. - 80 CRI Typ. - 1700 LED Source Lumens - 105 LED Source Lumens Per Watt - 979 Delivered LED Lumens - 65.3.6 Delivered LED Lumens Per Watt
		16.3W LED ARRAY 30K - 3000K Color Temp. - 80 CRI Typ. - 2110 LED Source Lumens - 103 LED Source Lumens Per Watt - 1447 Delivered LED Lumens - 76.2 Delivered LED Lumens Per Watt
Faultless 14" (With WAL Standard Lens)	L16.3 - (60) LED Array - Constant Current @560mA - 19.0 Input Watts 50,000 Hours(L70)	16.3W LED ARRAY 30K - 3000K Color Temp. - 80 CRI Typ. - 2110 LED Source Lumens - 103 LED Source Lumens Per Watt - 1447 Delivered LED Lumens - 76.2 Delivered LED Lumens Per Watt
Faultless 14" & 19" (With WAL Standard Lens)	L21.0 - (60) LED Array - Constant Current @700mA - 24.0 Input Watts 50,000 Hours(L70)	21.0W LED ARRAY 30K - 3000K Color Temp. - 80 CRI Typ. - 2640 LED Source Lumens - 105 LED Source Lumens Per Watt - 1737 Delivered LED Lumens - 72.4 Delivered LED Lumens Per Watt

PRODUCT	SOURCE/WATTAGE	30K SPECIFICATIONS
Faultless 19" (With WAL Standard Lens)	L37.5 - (108) LED Array - Constant Current @1050mA - 36.0 Input Watts 50,000 Hours(L70)	37.5W LED ARRAY 30K - 3000K Color Temp. - 80 CRI Typ. - 4845 LED Source Lumens - 135.4 LED Source Lumens Per Watt - 2879 Delivered LED Lumens - 80 Delivered LED Lumens Per Watt
		30.0W LED ARRAY 30K - 3000K Color Temp. - 80 CRI Typ. - 4522 LED Source Lumens - 134 LED Source Lumens Per Watt - 2534 Delivered LED Lumens - 74.5 Delivered LED Lumens Per Watt
Faultless 19" (With WAL Lens)	L30.0 - (80) LED Array - Constant Current @1000mA - 34.0 Input Watts 50,000 Hours(L70)	30.0W LED ARRAY 30K - 3000K Color Temp. - 80 CRI Typ. - 4522 LED Source Lumens - 134 LED Source Lumens Per Watt - 2534 Delivered LED Lumens - 74.5 Delivered LED Lumens Per Watt

All Wattages Listed on This Page Have IES Files Available For the 30K Color Temperature

