

# TURNBERRY M LED

Architectural Indoor



PROJECT:		
TYPE:		
PO#:		QTY:
COMMENTS:		



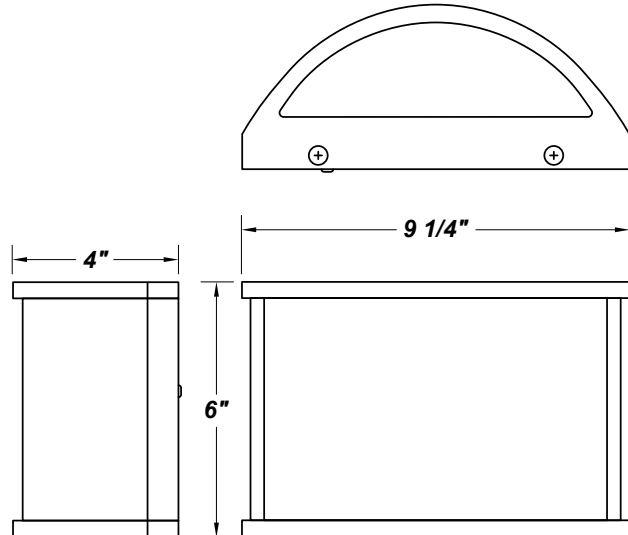
## FEATURES

- ADA Compliant
- CSA Listed Damp Location For Wall Mount
- Die-Cast Aluminum End Caps with Recessed Screw Holes
- Die-Formed Steel Housing with Textured White Powder Coat Finish
- High Impact White Acrylic Diffuser (50% DR Acrylic)
- LED Light Fixture
- Luminous White Acrylic Diffuser



## LINE DRAWING

LINE DRAWING NOT TO SCALE



## FINISHES

Antique Copper	Antique Silver	Bronze Mist	Matte Silver	Sand	Swedish Steel
Textured Black	Textured Bronze	Textured White			

For RAL Colors & Custom Match - Contact Teron Lighting Inc.

# TURNBERRY M LED

Architectural Indoor



Fixture Core

PROJECT:	
TYPE:	
PO#:	QTY:
COMMENTS:	

PRODUCT CODE	SOURCE/WATTAGE	VOLTAGE	DIMMING DRIVER
TRM - Turnberry M LED	L10.0-LT300 - 10.0W LED Board @ 300mA ELV Low Voltage 2-Wire Dimming Electronic Driver (Leading or Trailing Edge)	120-277V (50 / 60Hz)	Not Applicable
ORDER INFO			
TRM Example ^	L10.0-LT300	120-277V	Not Applicable

Aesthetics & Options

TRIM	FINISH	COLOR TEMP	OPTIONS
Not Applicable	<b>AC</b> - Antique Copper <b>AS</b> - Antique Silver <b>BT</b> - Bronze Mist <b>SM</b> - Matte Silver <b>SN</b> - Sand <b>SW</b> - Swedish Steel <b>TB</b> - Textured Black <b>BZ</b> - Textured Bronze <b>TW</b> - Textured White (Standard)	<b>30K</b> - 3000K Color Temp <b>35K</b> - 3500K Color Temp <b>40K</b> - 4000K Color Temp	<b>F</b> - Fused <b>OEL</b> - Single End Window <b>TEL</b> - Twin End Windows (Both Ends) <b>TP</b> - Tamper Resistant Screws
ORDER INFO			
Not Applicable Example ^	AC	27K	F

PROD	SOURCE	30K SPECS			
TRM	L10.0	<ul style="list-style-type: none"> <li>• 30K - 3000K Color Temp</li> <li>• 1536 LED Source Lumens</li> <li>• 154 LED Source Lumens Per Watt</li> </ul>			

REPLACEMENT PART	PART NO	NOTES
6" White Acrylic Diffuser	3055160	
Frosted Polycarbonate End Diffuser (For OEL / TEL)	3410862	
		Don't see the configuration you are looking for? Call us today at (513) 858-6004



**TERONLIGHTING.COM**  
 33 DONALD DR, FAIRFIELD, OH 45014  
 P: 513.858.6004 F: 513.858.6038  
 E: SALES@TERONLIGHT.COM



We reserve the right to revise the design components of any product due to parts availability or change in UL standards, without assuming any obligation or liability to modify any products previously manufactured, and without notice.

# TURNBERRY M LED

Architectural Indoor



Fixture Core

PROJECT:	
TYPE:	
PO#:	QTY:
COMMENTS:	

PRODUCT CODE	SOURCE/WATTAGE	VOLTAGE	DIMMING DRIVER
TRM - Turnberry M LED	<b>L11.0-LT350</b> - 11.0W LED Board @ 350mA ELV Low Voltage 2-Wire Dimming Electronic Driver (Leading or Trailing Edge) <b>L11.0-ZE350</b> - 11.0W LED Board @ 350mA Line Voltage 4-Wire Dimming Driver (Dimmable 0 - 10V)	<b>120-277V</b> (50 / 60Hz)	<b>Not Applicable</b>
ORDER INFO			
TRM Example ^	L11.0-LT350	120-277V	Not Applicable

Aesthetics & Options

TRIM	FINISH	COLOR TEMP	OPTIONS
<b>Not Applicable</b>	<b>AC</b> - Antique Copper <b>AS</b> - Antique Silver <b>BT</b> - Bronze Mist <b>SM</b> - Matte Silver <b>SN</b> - Sand <b>SW</b> - Swedish Steel <b>TB</b> - Textured Black <b>BZ</b> - Textured Bronze <b>TW</b> - Textured White (Standard)	<b>30K</b> - 3000K Color Temp <b>35K</b> - 3500K Color Temp <b>40K</b> - 4000K Color Temp	<b>F</b> - Fused <b>OEL</b> - Single End Window <b>TEL</b> - Twin End Windows (Both Ends) <b>TP</b> - Tamper Resistant Screws
ORDER INFO			
Not Applicable Example ^	AC	27K	F

PROD	SOURCE	30K SPECS			
TRM	L11.0	<ul style="list-style-type: none"> <li>• 30K - 3000K Color Temp</li> <li>• 1792 LED Source Lumens</li> <li>• 163 LED Source Lumens Per Watt</li> </ul>			

REPLACEMENT PART	PART NO	NOTES
6" White Acrylic Diffuser	3055160	
Frosted Polycarbonate End Diffuser (For OEL / TEL)	3410862	
		Don't see the configuration you are looking for? Call us today at (513) 858-6004



**TERONLIGHTING.COM**  
 33 DONALD DR, FAIRFIELD, OH 45014  
 P: 513.858.6004 F: 513.858.6038  
 E: SALES@TERONLIGHT.COM



We reserve the right to revise the design components of any product due to parts availability or change in UL standards, without assuming any obligation or liability to modify any products previously manufactured, and without notice.