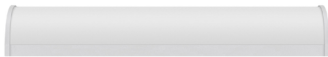


TURNBERRY LED 26"

Architectural Indoor



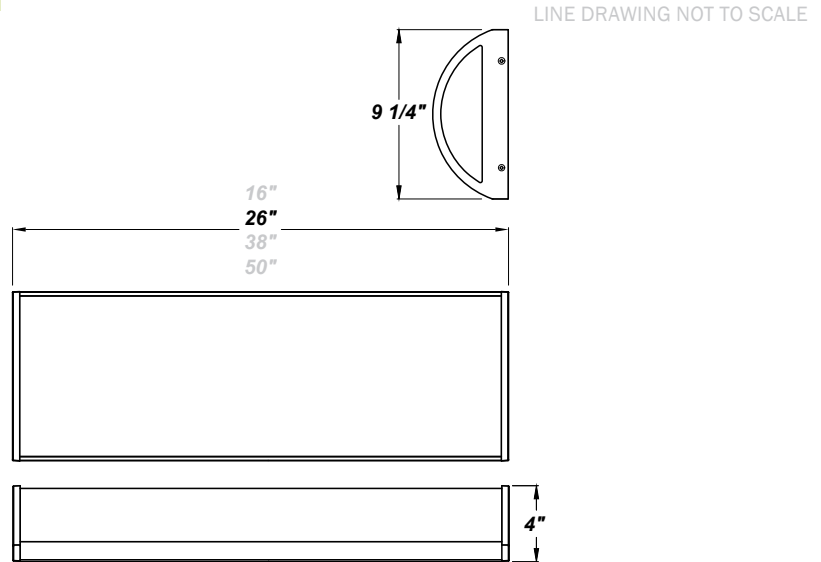
PROJECT:	
TYPE:	
PO#:	QTY:
COMMENTS:	



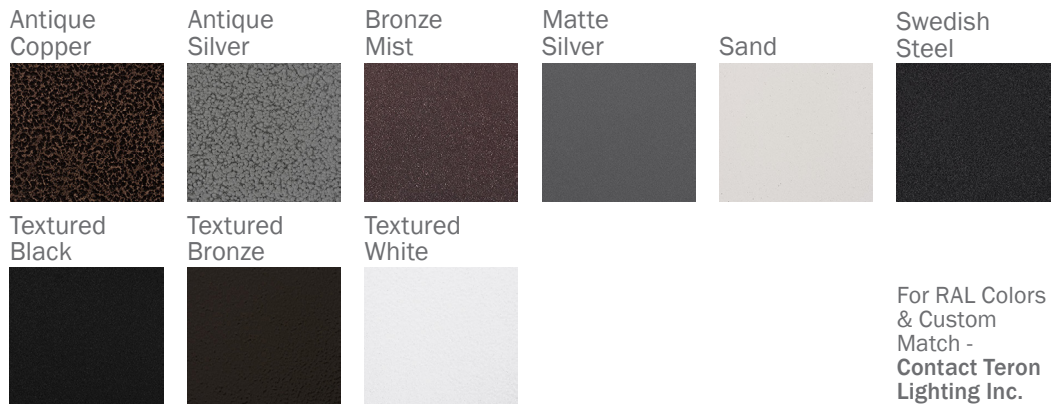
FEATURES

- 120V - 277V
- ADA Compliant
- Aluminum LED Mounting Plate
- CSA Listed Damp Location For Wall or Ceiling Mount
- Die-Formed Steel Housing w/ Textured White Polyester Powder Coat Finish
- Die Cast Aluminum End Caps w/ Textured White Polyester Powder Coat Finish
- Emergency Driver Available
- Fixture Mounts Directly to Surface w/ Two Wall Anchors (Not Included)
- High Impact White Acrylic Diffuser (50% DR Acrylic) w/ Inner Frosted Diffuser
- LED Light Fixture
- Recessed Stainless Steel Screws
- Surge Protector

LINE DRAWING



FINISHES



TURNBERRY LED 26"

Architectural Indoor



Fixture Core

PROJECT:	
TYPE:	
PO#:	QTY:
COMMENTS:	

PRODUCT CODE	SOURCE/WATTAGE	VOLTAGE	DIMMING DRIVER
TRN24 - Turnberry 26"	L24.0-ZE700 - 24.0W LED Strip(s) @ 700mA Line Voltage 4-Wire Dimming Driver (Dimmable 0 - 10V) ** L30.0-ZE900 - 30.0W LED Strip(s) @ 900mA Line Voltage 4-Wire Dimming Driver (Dimmable 0 - 10V) ** L34.0-ZE1000 - 34.0W LED Strip(s) @ 1000mA Line Voltage 4-Wire Dimming Driver (Dimmable 0 - 10V) **	120-277V (50 / 60Hz)	Not Applicable
ORDER INFO			
TRN24 Example ^	L24.0-ZE700	120-277V	Not Applicable

Aesthetics & Options

TRIM	FINISH	COLOR TEMP	OPTIONS
Not Applicable	AC - Antique Copper AS - Antique Silver BT - Bronze Mist SM - Matte Silver SN - Sand SW - Swedish Steel TB - Textured Black BZ - Textured Bronze TW - Textured White (Standard)	30K - 3000K Color Temp 35K - 3500K Color Temp 40K - 4000K Color Temp 50K - 5000K Color Temp	EB10 - Iota ILB-CP10 10W LED Driver F - Fused OEL - Single End Window TEL - Twin End Windows (Both Ends) TP - Tamper Resistant Screws
ORDER INFO			
Not Applicable Example ^	AC	27K	EB10

PROD	SOURCE	30K SPECS				
TRN	L24.0	<ul style="list-style-type: none"> 30K - 3000K Color Temp 3795 LED Source Lumens 158.1 LED Source Lumens Per Watt 				
	L30.0	<ul style="list-style-type: none"> 30K - 3000K Color Temp 4879 LED Source Lumens 162.6 LED Source Lumens Per Watt 				
	L34.0	<ul style="list-style-type: none"> 30K - 3000K Color Temp 5421 LED Source Lumens 159.4 LED Source Lumens Per Watt 				

REPLACEMENT PART	PART NO	NOTES
2' Acrylic LED Lens Assembly	38216	** EB Option Available
Frosted Polycarbonate End Diffuser (For OEL / TEL)	3410862	

Don't see the configuration you are looking for?
Call us today at (513) 858-6004



TERONLIGHTING.COM
 33 DONALD DR, FAIRFIELD, OH 45014
 P: 513.858.6004 F: 513.858.6038
 E: SALES@TERONLIGHT.COM



We reserve the right to revise the design components of any product due to parts availability or change in UL standards, without assuming any obligation or liability to modify any products previously manufactured, and without notice.