

TURNBERRY LED 16"

Architectural Indoor



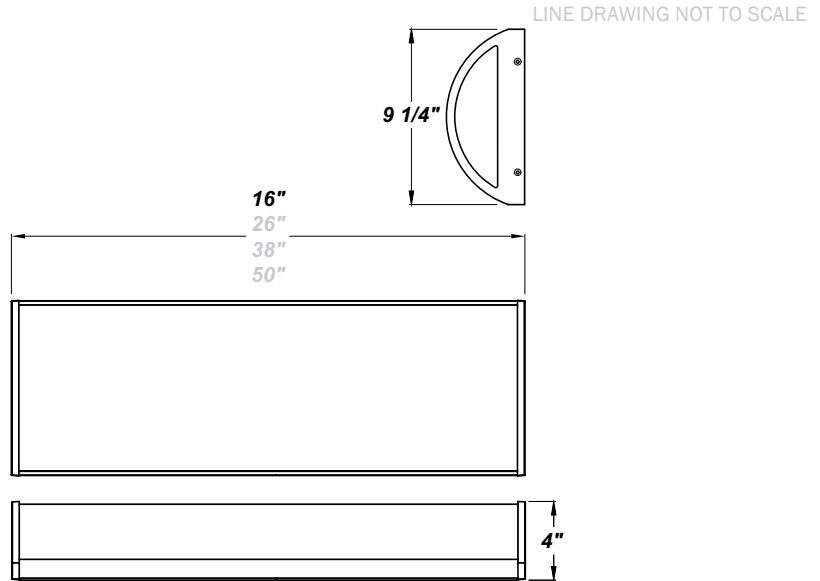
PROJECT:	
TYPE:	
PO#:	QTY:
COMMENTS:	



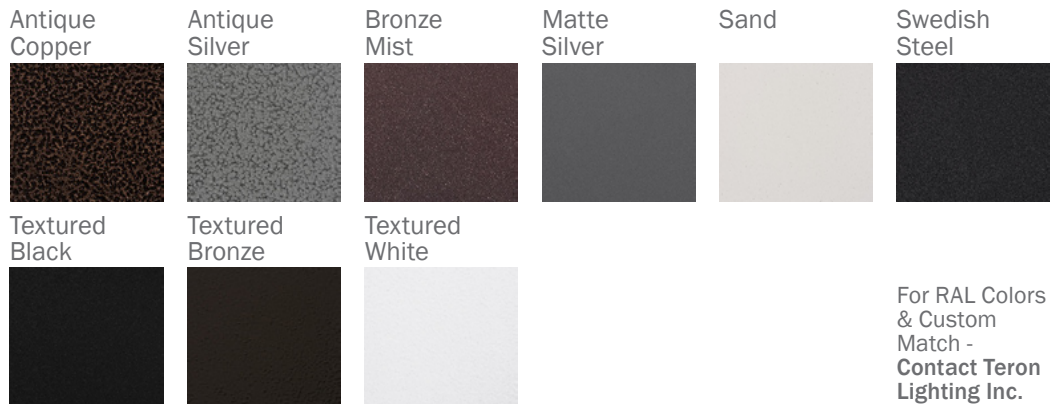
FEATURES

- Die-Formed Steel Housing w/ Textured White Polyester Powder Coat Finish
- Die Cast Aluminum End Caps w/ Textured White Polyester Powder Coat Finish
- High Impact White Acrylic Diffuser (50% DR Acrylic) w/ Inner Frosted Diffuser
- Aluminum LED Mounting Plate
- Recessed Screws
- Fixture Mounts Directly to Surface w/ Two Wall Anchors (Not Included)
- 120V - 277V
- Surge Protector
- ADA Compliant
- CSA Listed Damp Location For Wall or Ceiling Mount
- LED Light Fixture

LINE DRAWING



FINISHES



TURNBERRY LED 16"

Architectural Indoor



Fixture Core

PROJECT:	
TYPE:	
PO#:	QTY:
COMMENTS:	

PRODUCT CODE	SOURCE/WATTAGE	VOLTAGE	DIMMING DRIVER
TRN16 - Turnberry 16"	L19.0-ZE600 - 19.0W LED Strip(s) @ 600mA Line Voltage 4-Wire Dimming Driver (Dimmable 0 - 10V) L22.0-TE700 - 22.0W LED Strip(s) @ 700mA ELV Low Voltage 2-Wire Dimming Electronic Driver (Trailing Edge)	120-277V (50 / 60Hz)	Not Applicable
ORDER INFO			
TRN16 Example ^	L19.0-ZE600	120-277V	Not Applicable

Aesthetics & Options

TRIM	FINISH	COLOR TEMP	OPTIONS
Not Applicable	AC - Antique Copper TB - Textured Black AS - Antique Silver BT - Bronze Mist BZ - Textured Bronze SM - Matte Silver TW - Textured White (Standard) SN - Sand SW - Swedish Steel	27K - 2700K Color Temp 30K - 3000K Color Temp 35K - 3500K Color Temp 40K - 4000K Color Temp 50K - 5000K Color Temp	F - Fused OEL - Single End Window TEL - Twin End Windows (Both Ends) TP - Tamper Resistant Screws
ORDER INFO			
Not Applicable Example ^	AC	27K	F

PROD	SOURCE	30K SPECS				
TRN16	L19.0	<ul style="list-style-type: none"> 30K - 3000K Color Temp 2981 LED Source Lumens 157 LED Source Lumens Per Watt 				
	L22.0	<ul style="list-style-type: none"> 30K - 3000K Color Temp 3478 LED Source Lumens 158 LED Source Lumens Per Watt 				

REPLACEMENT PART	PART NO	NOTES
16" Acrylic LED Lens Assembly	38200	
Frosted Polycarbonate End Diffuser (For OEL / TEL)	3410862	
		Don't see the configuration you are looking for? Call us today at (513) 858-6004



TERONLIGHTING.COM
 33 DONALD DR, FAIRFIELD, OH 45014
 P: 513.858.6004 F: 513.858.6038
 E: SALES@TERONLIGHT.COM



We reserve the right to revise the design components of any product due to parts availability or change in UL standards, without assuming any obligation or liability to modify any products previously manufactured, and without notice.