



INSTALLATION & MAINTENANCE INSTRUCTIONS

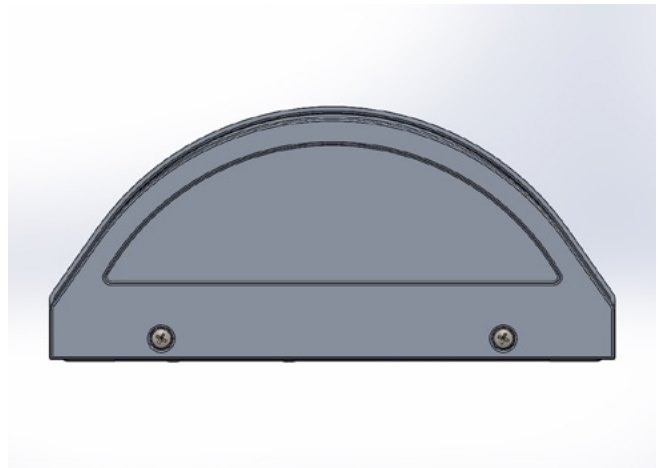
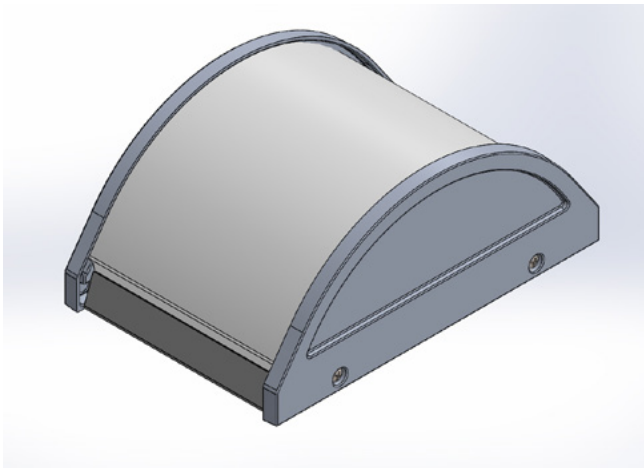
Turnberry Mini LED

ARCHITECTURAL VANITY

P.N. 76199

WARNING: DISCONNECT POWER PRIOR TO INSTALLATION OR SERVICING OF FIXTURE

NOTE: THIS PRODUCT MUST BE INSTALLED IN ACCORDANCE WITH THE APPLICABLE LOCAL & NATIONAL ELECTRICAL CODES BY A PERSON FAMILIAR WITH THE CONSTRUCTION AND FAMILIAR WITH THE OPERATION OF THE PRODUCT AND HAZARDS INVOLVED.



INSTALLATION

1. Make sure the power to the area working in is shut off to avoid serious injury from electrical shock.
2. Remove any excess packing from the fixture.
3. This fixture is designed to be mounted over a junction box (not supplied), using (2) 8-32 x 1/2" screws.
4. Open the housing assembly by removing one of the end covers by removing the 2 screws. Remove lens and carefully set aside.
5. Take off LED mounting plate by removing (2) screws located on the sides of the LED mounting plate.
6. Complete the wiring to the power source and ground. TLI stipulates the Black as Line; White as Common; Bare/Green as Ground. Wire connections to be made inside of junction box.
7. Line up the back of the housing with the mounting holes on the junction box and use (2) 8-32 x 1/2" screws to secure fixture to junction box.
8. Reassemble the housing by reattaching LED mounting plate and screws.
9. Replace lens and secure with end cap.

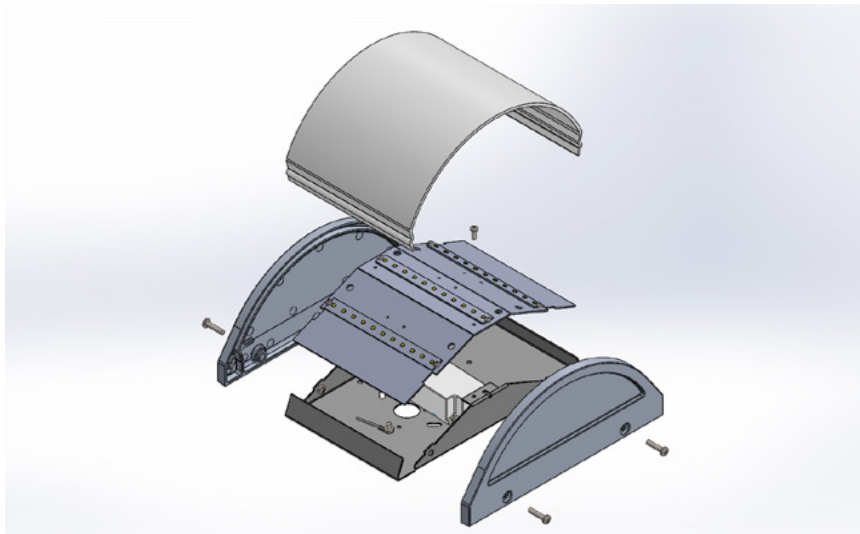
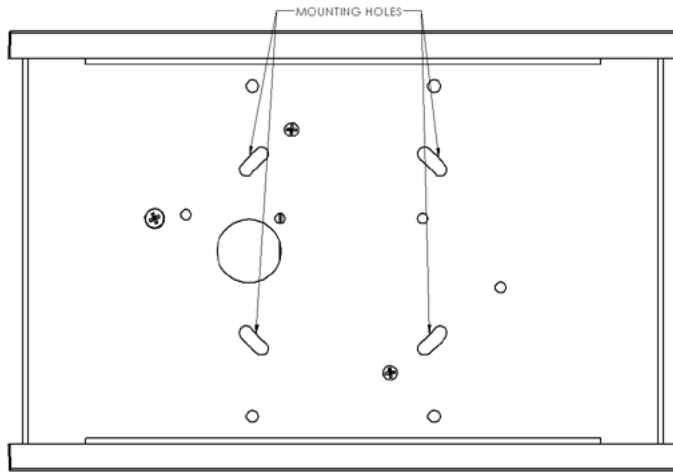
MAINTENANCE

DO NOT use cleansers containing bleach.

The metal portion of the fixture can be wiped clean as needed using a mild soap solution.

ATTENTION

Avoid moving any exposed wires. If any wires are accidentally disconnected, call a professional to repair.



WIRING DIAGRAM

