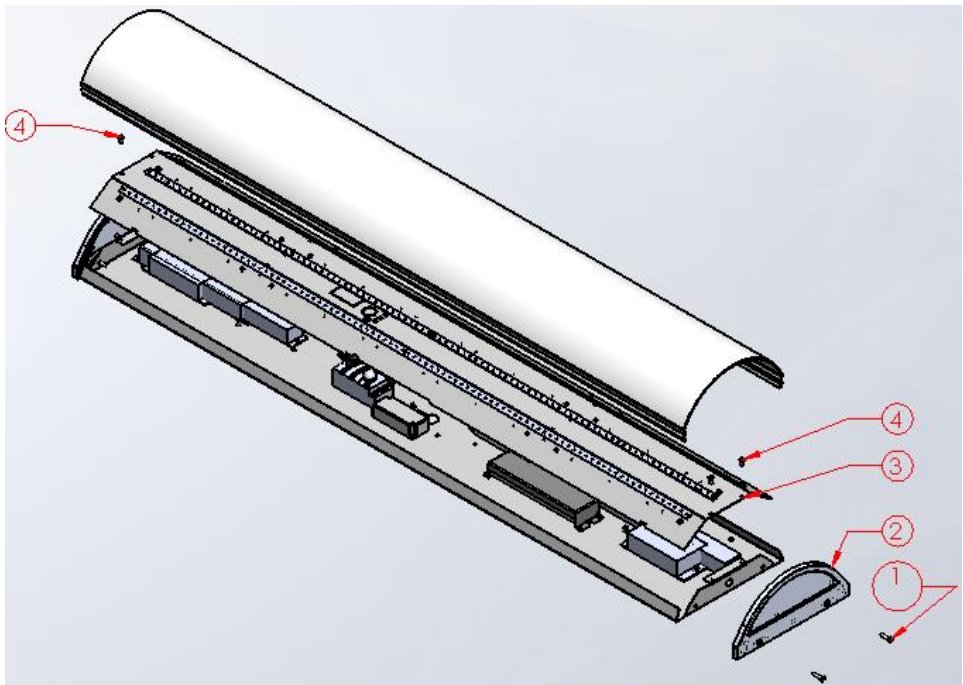




**INSTALLATION & MAINTENANCE INSTRUCTIONS
FOR THE
TURNBERRY SERIES - LED
Wall Mounted Luminaire Part No. 76145**

WARNING: DISCONNECT POWER PRIOR TO INSTALLATION OR SERVICING OF FIXTURE

NOTE: THIS PRODUCT MUST BE INSTALLED IN ACCORDANCE WITH THE APPLICABLE LOCAL & NATIONAL ELECTRICAL CODES BY A PERSON FAMILIAR WITH THE CONSTRUCTION AND FAMILIAR WITH THE OPERATION OF THE PRODUCT AND HAZARDS INVOLVED.



INSTALLATION

1. Remove any excess packing from the fixture.
2. This fixture is designed to be mounted over a junction box (supplied by customer), using 4 wall anchors.
3. Open the housing assembly by removing one of the end covers (2) in Figure 1 by removing the 2 screws (1) in Figure 1 remove lens and carefully set aside.
4. Take off LED mounting plate (3) in Figure 1 by removing 4 screws (4) in Figure 1 Located on the sides of the LED mounting plate.
6. Line up the back of the housing in desired location, completely covering junction box and mount securely to the wall with the wall anchors.
7. Complete the wiring to the power source and ground. The Black as Line; White as Common; Bare/Green as Ground. Wire connections to be made inside of housing.
8. Reassemble the housing by reattaching LED mounting plate and screws.
9. Replace lens and secure with end cap.

MAINTENANCE

DO NOT use cleansers containing bleach, or alcohol.

The metal portion of the fixture can be wiped clean as needed using a mild soap solution.

ATTENTION: Avoid moving any exposed wires. If any wires are accidentally disconnected, call a professional to repair.