

DUNBAR MSI LED 24"

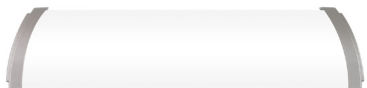
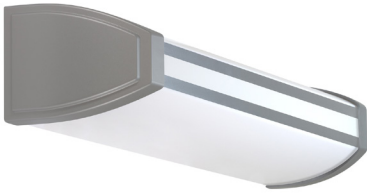
Architectural Indoor



PROJECT:	
TYPE:	
PO#:	QTY:
COMMENTS:	

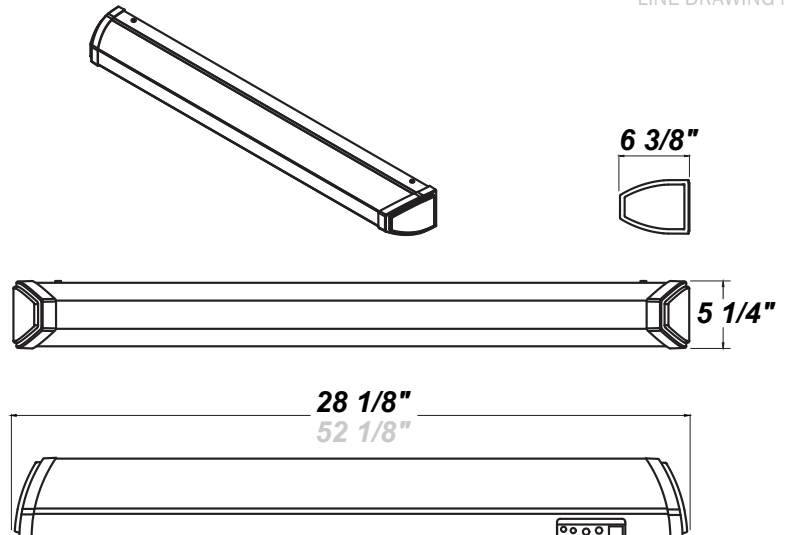
FEATURES

- [Internal Motion Sensor](#)
- Steel Housing with White Powder Coat Finish
- Steel Mounting Pan with Hi-Reflectance White Powder Coat Finish
- White Acrylic / DR Extruded Diffuser with Brushed Nickel Finished End Caps And Brushed Nickel / White Decorative Center Trim
- Up / Down Lighting
- Mounts Directly to Surface with Two Wall Anchors (Not Included)
- 0-10V and Trailing Edge (ELV) Dimming Compatible Options Available
- CSA Listed Dry Location For Wall Mount Only
- Integral EM Battery Driver Available
- LED Light Fixture



LINE DRAWING

LINE DRAWING NOT TO SCALE



FINISHES

Brushed Nickel End Caps w/ Nickel And White Center Trim (Standard) White End Caps w/ Solid White Center Trim



For RAL Colors & Custom Match - Contact Teron Lighting Inc.

DUNBAR MSI LED 24"

Architectural Indoor



Fixture Core

PROJECT:	
TYPE:	
PO#:	QTY:
COMMENTS:	

PRODUCT CODE	SOURCE/WATTAGE	VOLTAGE	DIMMING BALLAST
DNB24 - Dunbar 24"	L38.3-ZE1050 - 42W @ 1050mA Constant Current Dimming Electronic Driver (Dimmable 0-10V) L34.7-TE950 - 40W @ 950mA Constant Current ELV Dimming Electronic Driver	120V 277V (50 / 60Hz)	SDxx - Bi-Level Step Dimming from 10-90% in increments of 10% (replace xx in ordering code with requested dimming percentage)
ORDER INFO			
DN24	L38.3-ZE1050	120V	SD50

Example ^ (may not represent a manufacturable product)

Aesthetics & Options

TRIM	FINISH	COLOR TEMP	OPTIONS
MSI - Steinel HFLUM2- WR Internal Motion Sensor	BNW - Brushed Nickel End Caps w/ Nickel And White Center Trim (Standard) WSW - White End Caps w/ Solid White Center Trim	27K - 2700K Color Temp. 30K - 3000K Color Temp. 35K - 3500K Color Temp. 40K - 4000K Color Temp. 51K - 5100K Color Temp.	CO - Convenience Outlet EB - BSL310 Emergency Driver TP - Tamper Resistant Screws F - Fused
ORDER INFO			
MSI	BNW	35K	CO-EB

Example ^ (may not represent a manufacturable product)

PROD	SOURCE	27K SPECS	30K SPECS	35K SPECS	40K SPECS	51K SPECS
DNB24	L38.3-ZE1050	<ul style="list-style-type: none"> • 27K - 2700K Color Temp. Nominal • 2671 Estimated Delivered Lumens • 44.9 Estimated Delivered Lumens Per Watt 	<ul style="list-style-type: none"> • 30K - 3000K Color Temp. Nominal • 2720 Delivered Lumens • 44.9 Delivered Lumens Per Watt 	<ul style="list-style-type: none"> • 35K - 3500K Color Temp. Nominal • 2769 Estimated Delivered Lumens • 44.9 Estimated Delivered Lumens Per Watt 	<ul style="list-style-type: none"> • 40K - 4000K Color Temp. Nominal • 2868 Estimated Delivered Lumens • 44.9 Estimated Delivered Lumens Per Watt 	<ul style="list-style-type: none"> • 50K - 5000K Color Temp. Nominal • 2967 Estimated Delivered Lumens • 44.9 Estimated Delivered Lumens Per Watt

REPLACEMENT PART	PART NO	NOTES
2' White Acrylic Diffuser w/ White / Brushed Nickel Trim	3045319	*Don't see the configuration you are looking for? Call us today at (513) 858-6004
2' White Acrylic Diffuser w/ Solid White Trim	3045360	



TERONLIGHTING.COM
 33 DONALD DR, FAIRFIELD, OH 45014
 P: 513.858.6004 F: 513.858.6038
 E: SALES@TERONLIGHT.COM



We reserve the right to revise the design components of any product due to parts availability or change in UL standards, without assuming any obligation or liability to modify any products previously manufactured, and without notice.