

# VICEROY ODL LED 36"

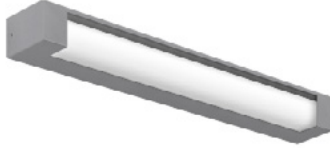
Architectural Indoor



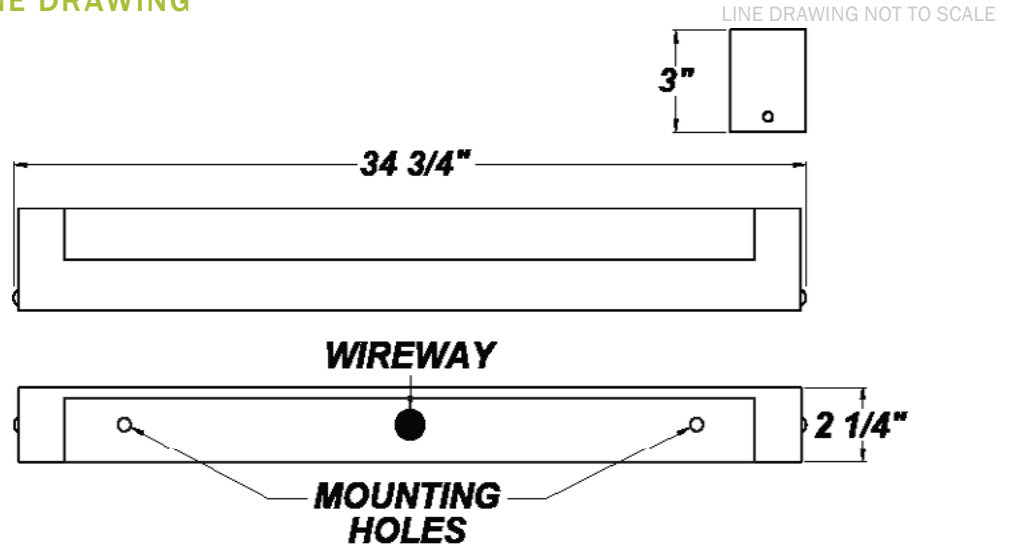
|           |      |
|-----------|------|
| PROJECT:  |      |
| TYPE:     |      |
| PO#:      | QTY: |
| COMMENTS: |      |

## FEATURES

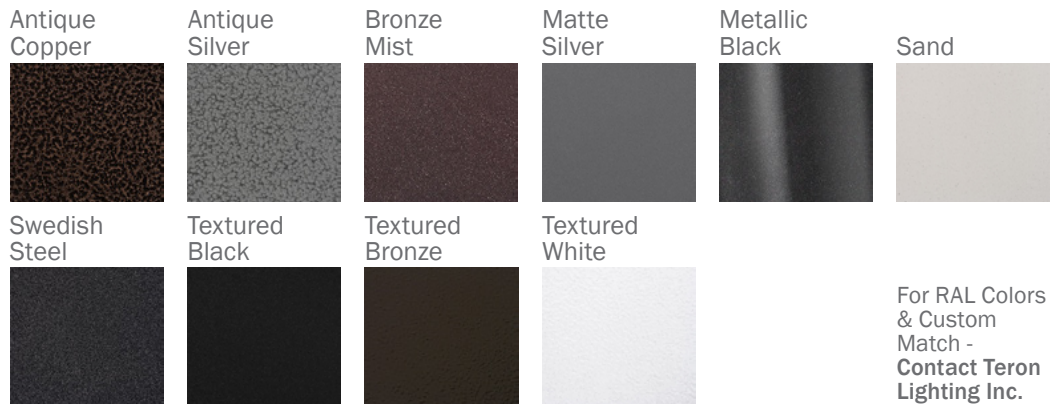
- Steel Housing with Matte Silver Powder Coat Finish
- Prepainted White Steel Mount Pan
- Matte White Acrylic Inner Diffuser
- Clear Acrylic Outer Diffuser
- ELV Driver - Over-Voltage, Over-Current, and Short-Circuit Protection with Auto Recovery
- Constant Current
- Dimmable to 10% From 120V to 277V
- Mounts Directly to Surface with Two Wall Anchors (Not Included) Over a 2" Junction Box (Not Included)
- Lighting Facts Listed
- L70 Life Time For 50,000hr
- IES Files Available
- ADA Compliant
- CSA Listed Damp Location For Wall or Ceiling Mount
- LED Light Fixture



## LINE DRAWING



## FINISHES



# VICEROY ODL LED 36"

Architectural Indoor



Fixture Core

|           |      |
|-----------|------|
| PROJECT:  |      |
| TYPE:     |      |
| PO#:      | QTY: |
| COMMENTS: |      |

| PRODUCT CODE               | SOURCE/WATTAGE   | VOLTAGE                                | DIMMING DRIVER        |
|----------------------------|--|--|-----------------------|
| <b>VCY36</b> - Viceroy 36" | <b>L23.2-TE700</b> - 23.2W LED Strip(s) @ 700mA ELV Dimming Driver<br><b>L23.2-ZE700</b> - 23.2W LED Strip(s) @ 700mA Line Voltage 4-Wire Dimming Driver (Dimmable 0 - 10V)<br><b>L30.0-ZE875</b> - 30.0W LED Strip(s) @ 875mA Line Voltage 4-Wire Dimming Driver (Dimmable 0 - 10V) | <b>120-277V</b><br>(120-230V Dimmable) | <b>Not Applicable</b> |
| ORDER INFO                 |  |  |                       |
| VCY36<br>Example ^         | L23.2-TE700  | 120-277V                               | Not Applicable        |

Aesthetics & Options

| TRIM             | FINISH   | COLOR TEMP  | OPTIONS  |
|------------------|--|---|--|
| <b>ODL</b>       | <b>AC</b> - Antique Copper<br><b>AS</b> - Antique Silver<br><b>BT</b> - Bronze Mist<br><b>BZ</b> - Textured Bronze<br><b>SM</b> - Matte Silver (Standard)<br><b>MB</b> - Metallic Black<br><b>SN</b> - Sand<br><b>SW</b> - Swedish Steel<br><b>TB</b> - Textured Black<br><b>TW</b> - Textured White | <b>40K</b> - 4000K Color Temp<br><b>35K</b> - 3500K Color Temp<br><b>30K</b> - 3000K Color Temp | <b>F</b> - Single Fuse 120-277V<br><b>JBC</b> - 4" x 4" Junction Box Cover (Mounts to Fixture, Allowing it to be Retro-fitted Over an Existing Junction Box)<br><b>TP</b> - Tamper-Proof Screw Set |
| ORDER INFO       |  |   |  |
| ODL<br>Example ^ | AC   | 40K   | F  |

| PROD         | SOURCE | 30K SPECS  |  |  |  |  |
|--------------|--------|--|--|--|--|--|
| <b>VCY36</b> | L23.2  | <ul style="list-style-type: none"> <li>30K - 3000K Color Temp</li> <li>3258 LED Source Lumens</li> <li>114.7 LED Source Lumens Per Watt</li> </ul> |  |  |  |  |
|              | L30.0  | <ul style="list-style-type: none"> <li>30K - 3000K Color Temp</li> <li>4072 LED Source Lumens</li> <li>110.1 LED Source Lumens Per Watt</li> </ul> |  |  |  |  |

| REPLACEMENT PART  | PART NO | NOTES |
|---|---------|-------|
| 3' Lens Assembly  | 38091   |       |
| Don't see the configuration you are looking for?<br>Call us today at (513) 858-6004 |         |       |



TERONLIGHTING.COM  
 33 DONALD DR, FAIRFIELD, OH 45014  
 P: 513.858.6004 F: 513.858.6038  
 E: SALES@TERONLIGHT.COM



We reserve the right to revise the design components of any product due to parts availability or change in UL standards, without assuming any obligation or liability to modify any products previously manufactured, and without notice.