

# VICEROY ODL LED 12"

Architectural Indoor



PROJECT:	
TYPE:	
PO#:	QTY:
COMMENTS:	

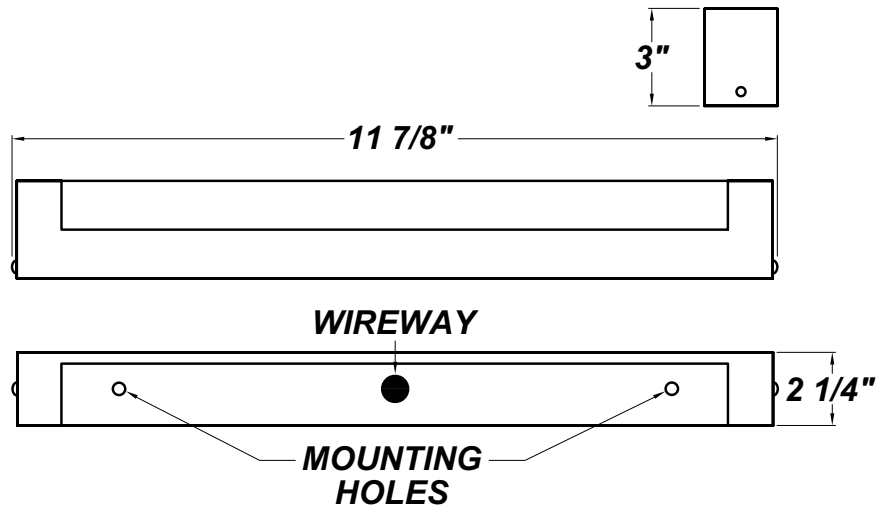
## FEATURES

- ADA Compliant
- Clear Acrylic Outer Diffuser
- CSA Listed Damp Location For Wall or Ceiling Mount
- Constant Current Dimmable to 10% From 120V to 277V
- LED Light Fixture
- Matte White Acrylic Inner Diffuser
- Mounts Directly to Surface with Two Wall Anchors (Not Included) Over a 2" Junction Box (Not Included)
- Prepainted White Steel Mount Pan
- Steel Housing with Matte Silver Powder Coat Finish

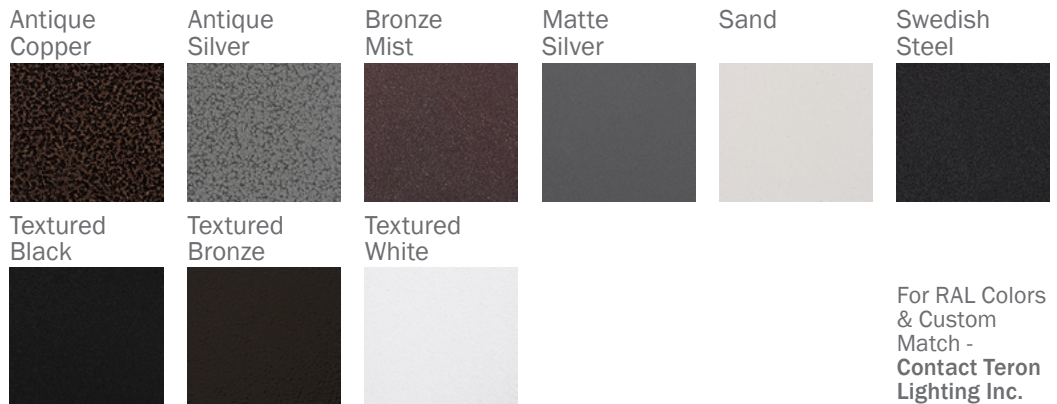


## LINE DRAWING

LINE DRAWING NOT TO SCALE



## FINISHES



# VICEROY ODL LED 12"

Architectural Indoor



Fixture Core

PROJECT:	
TYPE:	
PO#:	QTY:
COMMENTS:	

PRODUCT CODE	SOURCE/WATTAGE	VOLTAGE	DIMMING DRIVER
<b>VCY12</b> - Viceroy 12"	<b>L4.5-LT150</b> - 4.5W LED Strip(s) @ 150mA ELV Dimming Driver <b>L6.0-TE175</b> - 6W LED Strip(s) @ 175mA ELV Dimming Driver <b>L6.8-LT200</b> - 6.8W LED Strip(s) @ 200mA ELV Dimming Driver	<b>120-277V</b>	<b>Not Applicable</b>
ORDER INFO			
VCY12 Example ^	L4.5-LT150	120-277V	Not Applicable

Aesthetics & Options

TRIM	FINISH	COLOR TEMP	OPTIONS
<b>ODL</b>	<b>AC</b> - Antique Copper <b>AS</b> - Antique Silver <b>BT</b> - Bronze Mist <b>BZ</b> - Textured Bronze <b>SM</b> - Matte Silver (Standard) <b>SN</b> - Sand <b>SW</b> - Swedish Steel <b>TB</b> - Textured Black <b>TW</b> - Textured Whit	<b>30K</b> - 3000K Color Temp <b>35K</b> - 3500K Color Temp <b>40K</b> - 4000K Color Temp	<b>F</b> - Single Fuse 120-277V <b>JBC</b> - 4" x 4" Junction Box Cover (Mounts to Fixture, Allowing it to be Retro-fitted Over an Existing Junction Box) <b>TP</b> - Tamper-Proof Screw Set
ORDER INFO			
ODL Example ^	AC	40K	F

PROD	SOURCE	30K SPECS			
<b>VCY12</b>	L4.5	<ul style="list-style-type: none"> <li>30K - 3000K Color Temp</li> <li>745.3 LED Source Lumens</li> <li>165.6 LED Source Lumens Per Watt</li> </ul>			
	L6.0	<ul style="list-style-type: none"> <li>30K - 3000K Color Temp</li> <li>869.5 LED Source Lumens</li> <li>144.9 LED Source Lumens Per Watt</li> </ul>			
	L6.8	<ul style="list-style-type: none"> <li>30K - 3000K Color Temp</li> <li>993.7 LED Source Lumens</li> <li>146.1 LED Source Lumens Per Watt</li> </ul>			

REPLACEMENT PART	PART NO	NOTES
1' Lens Assembly	38114	
		Don't see the configuration you are looking for? Call us today at (513) 858-6004



**TERONLIGHTING.COM**  
 33 DONALD DR, FAIRFIELD, OH 45014  
 P: 513.858.6004 F: 513.858.6038  
 E: SALES@TERONLIGHT.COM



We reserve the right to revise the design components of any product due to parts availability or change in UL standards, without assuming any obligation or liability to modify any products previously manufactured, and without notice.

# VICEROY ODL LED 12"

Architectural Indoor



Fixture Core

PROJECT:	
TYPE:	
PO#:	QTY:
COMMENTS:	

PRODUCT CODE	SOURCE/WATTAGE	VOLTAGE	DIMMING DRIVER
<b>VCY12</b> - Viceroy 12"	<b>L8.5-LT250</b> - 8.5W LED Strip(s) @ 250mA ELV Dimming Driver <b>L9.1-TE275</b> - 9.1W LED Strip(s) @ 275mA ELV Dimming Driver <b>L10.2-LT300</b> - 10.2W LED Strip(s) @ 300mA ELV Dimming Driver	<b>120-277V</b>	<b>Not Applicable</b>
ORDER INFO			
VCY12 Example ^	L8.5-LT250	120-277V	Not Applicable

Aesthetics & Options

TRIM	FINISH	COLOR TEMP	OPTIONS
<b>ODL</b>	<b>AC</b> - Antique Copper <b>AS</b> - Antique Silver <b>BT</b> - Bronze Mist <b>BZ</b> - Textured Bronze <b>SM</b> - Matte Silver (Standard) <b>SN</b> - Sand <b>SW</b> - Swedish Steel <b>TB</b> - Textured Black <b>TW</b> - Textured Whit	<b>30K</b> - 3000K Color Temp <b>35K</b> - 3500K Color Temp <b>40K</b> - 4000K Color Temp	<b>F</b> - Single Fuse 120-277V <b>JBC</b> - 4" x 4" Junction Box Cover (Mounts to Fixture, Allowing it to be Retro-fitted Over an Existing Junction Box) <b>TP</b> - Tamper-Proof Screw Set
ORDER INFO			
ODL Example ^	AC	40K	F

PROD	SOURCE	30K SPECS				
<b>VCY12</b>	L8.5	<ul style="list-style-type: none"> <li>• 30K - 3000K Color Temp</li> <li>• 1242 LED Source Lumens</li> <li>• 146.1 LED Source Lumens Per Watt</li> </ul>				
	L9.1	<ul style="list-style-type: none"> <li>• 30K - 3000K Color Temp</li> <li>• 1366.4 LED Source Lumens</li> <li>• 150.2 LED Source Lumens Per Watt</li> </ul>				
	L10.2	<ul style="list-style-type: none"> <li>• 30K - 3000K Color Temp</li> <li>• 1490 LED Source Lumens</li> <li>• 146.1 LED Source Lumens Per Watt</li> </ul>				

REPLACEMENT PART	PART NO	NOTES
1' Lens Assembly	38114	
		Don't see the configuration you are looking for? Call us today at (513) 858-6004



**TERONLIGHTING.COM**  
 33 DONALD DR, FAIRFIELD, OH 45014  
 P: 513.858.6004 F: 513.858.6038  
 E: SALES@TERONLIGHT.COM



We reserve the right to revise the design components of any product due to parts availability or change in UL standards, without assuming any obligation or liability to modify any products previously manufactured, and without notice.

# VICEROY ODL LED 12"

Architectural Indoor



Fixture Core

PROJECT:	
TYPE:	
PO#:	QTY:
COMMENTS:	

PRODUCT CODE	SOURCE/WATTAGE	VOLTAGE	DIMMING DRIVER
VCY12 - Viceroy 12"	L12.2-ZT350 - 12.5W @ 350mA Dual Dim Driver: ELV, 0-10V, Triac Dimming	120-277V	ZT=Dual Dim Which Contains: ELV Dimming, Triac Dimming, and 0-10V Dimming
ORDER INFO			
VCY12 Example ^	L12.2-ZT350	120-277V	Not Applicable

Aesthetics & Options

TRIM	FINISH	COLOR TEMP	OPTIONS
ODL	<b>AC</b> - Antique Copper <b>AS</b> - Antique Silver <b>BT</b> - Bronze Mist <b>BZ</b> - Textured Bronze <b>SM</b> - Matte Silver (Standard) <b>SN</b> - Sand <b>SW</b> - Swedish Steel <b>TB</b> - Textured Black <b>TW</b> - Textured Whit	<b>30K</b> - 3000K Color Temp <b>35K</b> - 3500K Color Temp <b>40K</b> - 4000K Color Temp	<b>F</b> - Single Fuse 120-277V <b>JBC</b> - 4" x 4" Junction Box Cover (Mounts to Fixture, Allowing it to be Retro-fitted Over an Existing Junction Box) <b>TP</b> - Tamper-Proof Screw Set
ORDER INFO			
ODL Example ^	SM	30K	F

PROD	SOURCE	30K SPECS			
VCY12	L12.2	<ul style="list-style-type: none"> <li>• 30K - 3000K Color Temp</li> <li>• 1393 LED Source Lumens</li> <li>• 146.1 LED Source Lumens Per Watt</li> </ul>			

REPLACEMENT PART	PART NO	NOTES
1' Lens Assembly	38114	
		Don't see the configuration you are looking for? Call us today at (513) 858-6004



TERONLIGHTING.COM  
 33 DONALD DR, FAIRFIELD, OH 45014  
 P: 513.858.6004 F: 513.858.6038  
 E: SALES@TERONLIGHT.COM



We reserve the right to revise the design components of any product due to parts availability or change in UL standards, without assuming any obligation or liability to modify any products previously manufactured, and without notice.