

OASIS MSE LED 24"

Architectural Indoor



| | |
|-----------|------|
| PROJECT: | |
| TYPE: | |
| PO#: | QTY: |
| COMMENTS: | |

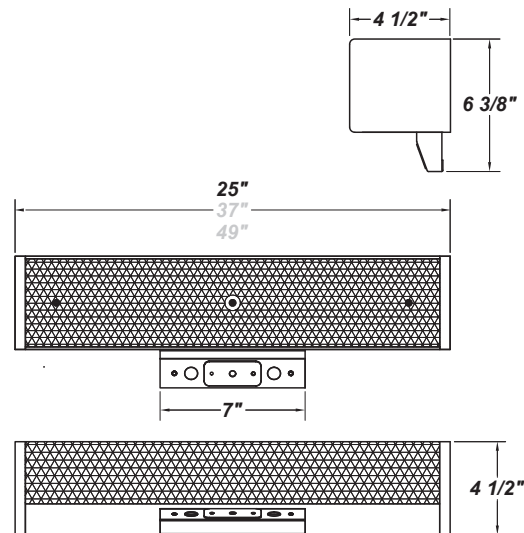
FEATURES

- [External Motion Sensor](#)
- Steel Housing w/ White Powder Coat Finish
- Steel Mounting Pan w/ Hi-Reflectance White Powder Coat Finish
- Steel End Caps w/ White Powder Coat Finish
- Clear Acrylic Lens w/ Ribbed Sides and Prismatic Front
- Mounts Directly to Surface w/ Two Wall Anchors (Not Included)
- 0-10V and Leading Edge / Phase Dimming Compatible Options Available
- IES Files Available
- CSA Listed Damp Location
- Emergency Battery Available
- LED Light Fixture

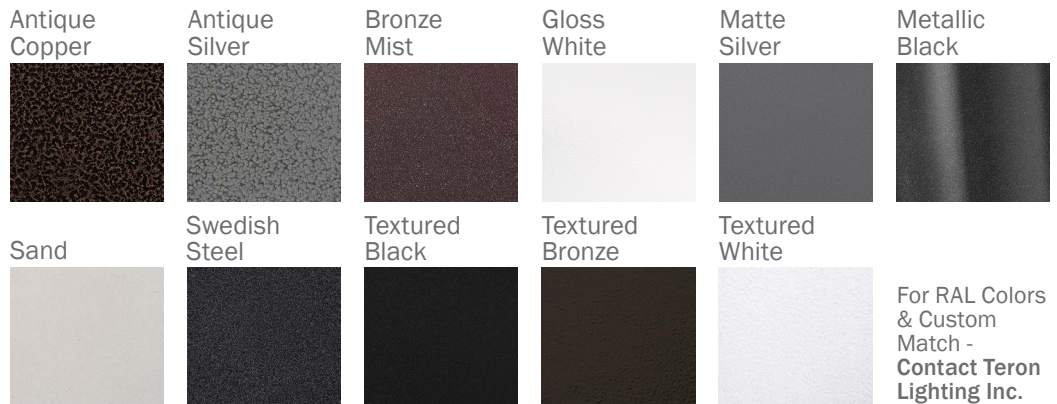


LINE DRAWING

LINE DRAWING NOT TO SCALE



FINISHES



OASIS MSE LED 24"

Architectural Indoor



Fixture Core

| | |
|-----------|------|
| PROJECT: | |
| TYPE: | |
| PO#: | QTY: |
| COMMENTS: | |

| PRODUCT CODE | SOURCE/WATTAGE | VOLTAGE | DIMMING DRIVER |
|--------------------|---|-----------------------------------|---|
| OAS24 - Oasis 24" | L34.7-LE950 - 40W @ 950mA Triac Dimming Driver L38.3-ZE1050 - 42W @ 1050mA Line Voltage 4-Wire Dimming Driver (Dimmable 0 - 10V) | 120 - 277V 347V (50 / 60Hz) | SD10 - 10/100% Bi-level Step Dimming SD25 - 25/100% Bi-level Step Dimming (120V / 277V Only) SD50 - 50/100% Bi-level Step Dimming (120V / 277V Only) |
| ORDER INFO | | | |
| OAS24 Example ^ | L34.7-LE950 | 120 - 277V | SD10 |

Aesthetics & Options

| TRIM | FINISH | COLOR TEMP | OPTIONS |
|------------------|---|--|--|
| MSE | AC - Antique Copper AS - Antique Silver BT - Bronze Mist BN - Brushed Nickel SM - Matte Silver MB - Metallic Black SN - Sand SW - Swedish Steel TB - Textured Black BZ - Textured Bronze TW - Textured White WH - Gloss White (Standard) | 27K - 2700K Color Temp 30K - 3000K Color Temp 35K - 3500K Color Temp 40K - 4000K Color Temp 50K - 5000K Color Temp | 2SW - 2-Position Switch w/ Pull Chain* BFL - Front Baffle For Up / Down Lighting CH - Chrome End Caps CO - Convenience Outlet* EB - Integral Emergency Battery** F - Fused** MSW - Multi-Level Switch w/ Pull Chain (120V Only) (For Multi-Directional Lighting)* NLT - 5.1W LED Night Light** SP - Surge Protector |
| ORDER INFO | | | |
| MSE Example ^ | AC | 27K | 2SW |

| PROD | SOURCE | 30K SPECS | | | |
|---------|--------|--|--|--|--|
| OAS 24" | L34.7 | <ul style="list-style-type: none"> 30K - 3000K Color Temp 5150 LED Source Lumens 125.6 LED Source Lumens Per Watt | | | |
| | L38.3 | <ul style="list-style-type: none"> 30K - 3000K Color Temp 4080 LED Source Lumens 90.8 LED Source Lumens Per Watt | | | |

| REPLACEMENT PART | PART NO | NOTES |
|----------------------------|---------|--|
| 24" Clear Acrylic Diffuser | 30909 | * Option is for 120V Only ** Option is for 120 or 277V Only |

Don't see the configuration you are looking for?
Call us today at (513) 858-6004



TERONLIGHTING.COM
33 DONALD DR, FAIRFIELD, OH 45014
P: 513.858.6004 F: 513.858.6038
E: SALES@TERONLIGHT.COM



We reserve the right to revise the design components of any product due to parts availability or change in UL standards, without assuming any obligation or liability to modify any products previously manufactured, and without notice.