

DUNBAR MSI LED 24"

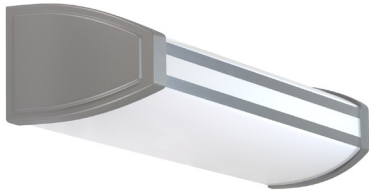
Architectural Indoor



| | |
|-----------|------|
| PROJECT: | |
| TYPE: | |
| PO#: | QTY: |
| COMMENTS: | |

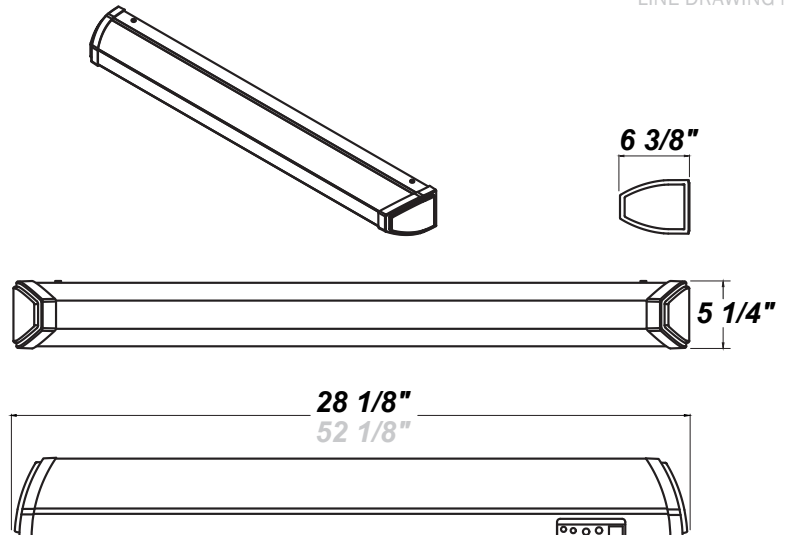
FEATURES

- [Internal Motion Sensor](#)
- Steel Housing with White Powder Coat Finish
- Steel Mounting Pan with Hi-Reflectance White Powder Coat Finish
- White Acrylic / DR Extruded Diffuser with Brushed Nickel Finished End Caps And Brushed Nickel / White Decorative Center Trim
- Up / Down Lighting
- Mounts Directly to Surface with Two Wall Anchors (Not Included)
- 0-10V and Trailing Edge (ELV) Dimming Compatible Options Available
- CSA Listed Dry Location For Wall Mount Only
- Integral EM Battery Driver Available
- LED Light Fixture



LINE DRAWING

LINE DRAWING NOT TO SCALE



FINISHES

Brushed Nickel End Caps w/ Nickel And White Center Trim (Standard) White End Caps w/ Solid White Center Trim



For RAL Colors & Custom Match - Contact Teron Lighting Inc.

DUNBAR MSI LED 24"

Architectural Indoor



Fixture Core

| | |
|-----------|------|
| PROJECT: | |
| TYPE: | |
| PO#: | QTY: |
| COMMENTS: | |

| PRODUCT CODE | SOURCE/WATTAGE | VOLTAGE | DIMMING BALLAST |
|---------------------------|--|---|--|
| DNB24 - Dunbar 24" | L38.3-ZE1050 - 42W @ 1050mA Constant Current Dimming Electronic Driver (Dimmable 0-10V) L34.7-TE950 - 40W @ 950mA Constant Current ELV Dimming Electronic Driver | 120V 277V (50 / 60Hz) | SDxx - Bi-Level Step Dimming from 10-90% in increments of 10% (replace xx in ordering code with requested dimming percentage) |
| ORDER INFO | | | |
| DN24 | L38.3-ZE1050 | 120V | SD50 |

Example ^ (may not represent a manufacturable product)

Aesthetics & Options

| TRIM | FINISH | COLOR TEMP | OPTIONS |
|--|---|--|--|
| MSI - Steinel HFLUM2- WR Internal Motion Sensor | BNW - Brushed Nickel End Caps w/ Nickel And White Center Trim (Standard) WSW - White End Caps w/ Solid White Center Trim | 27K - 2700K Color Temp. 30K - 3000K Color Temp. 35K - 3500K Color Temp. 40K - 4000K Color Temp. 51K - 5100K Color Temp. | CO - Convenience Outlet EB - BSL310 Emergency Driver TP - Tamper Resistant Screws F - Fused |
| ORDER INFO | | | |
| MSI | BNW | 35K | CO-EB |

Example ^ (may not represent a manufacturable product)

| PROD | SOURCE | 27K SPECS | 30K SPECS | 35K SPECS | 40K SPECS | 51K SPECS |
|--------------|--------------|--|--|--|--|--|
| DNB24 | L38.3-ZE1050 | <ul style="list-style-type: none"> 27K - 2700K Color Temp. Nominal 2671 Estimated Delivered Lumens 44.9 Estimated Delivered Lumens Per Watt | <ul style="list-style-type: none"> 30K - 3000K Color Temp. Nominal 2720 Delivered Lumens 44.9 Delivered Lumens Per Watt | <ul style="list-style-type: none"> 35K - 3500K Color Temp. Nominal 2769 Estimated Delivered Lumens 44.9 Estimated Delivered Lumens Per Watt | <ul style="list-style-type: none"> 40K - 4000K Color Temp. Nominal 2868 Estimated Delivered Lumens 44.9 Estimated Delivered Lumens Per Watt | <ul style="list-style-type: none"> 50K - 5000K Color Temp. Nominal 2967 Estimated Delivered Lumens 44.9 Estimated Delivered Lumens Per Watt |

| REPLACEMENT PART | PART NO | NOTES |
|--|---------|---|
| 2' White Acrylic Diffuser w/ White / Brushed Nickel Trim | 3045319 | *Don't see the configuration you are looking for? Call us today at (513) 858-6004 |
| 2' White Acrylic Diffuser w/ Solid White Trim | 3045360 | |



TERONLIGHTING.COM
 33 DONALD DR, FAIRFIELD, OH 45014
 P: 513.858.6004 F: 513.858.6038
 E: SALES@TERONLIGHT.COM



We reserve the right to revise the design components of any product due to parts availability or change in UL standards, without assuming any obligation or liability to modify any products previously manufactured, and without notice.