

Viceroy LG

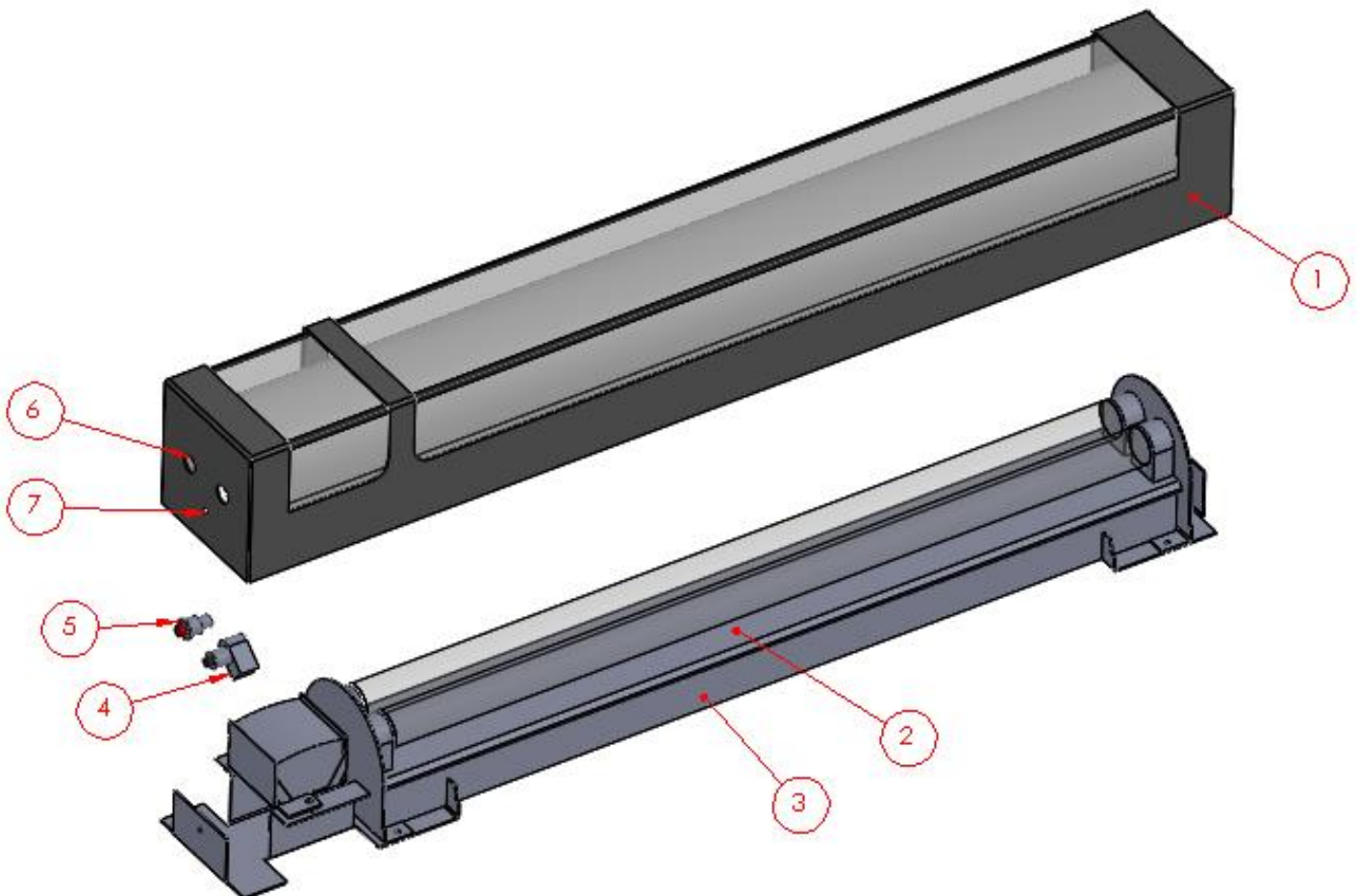
Ceiling or Wall mounted Luminaire

P.N.76126 REV.1



Installation:

- a) Cut power to circuit.
- b) Remove lens fascia assembly (Item 1) and reflector (Item 2).
- c) Fasten mount pan (Item 3) to mount surface with a minimum of two fasteners supplied by customer or with supplied mount kit (optional).
- d) Connect the luminaries neutral (white), ground (green or bare), and power (black) wires to the supply circuit wires within the mount pan (Item 3).
- e) Snap reflector (Item 2) back on mount pan (Item 3) and install lamps.
- f) Feed optional emergency battery test switch (Item 4) and indicator light (Item 5) into fascia through holes (Item 6) and secure with included snap plugs and threaded nut.
- g) Replace lens fascia assembly (Item 1) and attach with supplied #6-32 screws in each end of fascia mounting holes (Item 7).
- h) Restore power to circuit.



Maintenance:

Clean lens only with a mixture of mild soap and water with a soft non abrasive cloth. Change lamps as needed.

ATTENTION:

Installation of an electrical luminaire must be performed by a qualified professional. The fixture must be wired in accordance to all local & national electrical codes by a person familiar with the construction and operation of the product and the hazards involved.

Avoid moving any exposed wires. If any wires are accidentally disconnected, call a professional to repair.

NOTE:

These instructions are general to the fixture noted. Due to the numerous options, all variations may not be covered.

Optional emergency batteries are tested prior to leaving our facility. Any incomplete circuitry is intentionally disconnected both as a safety precaution and for the installer to configure correctly per application. Any wiring for field installation must be completed in accordance to the supplied ballast installation instruction sheet.