

PROJECT :
TYPE :
ORDERING # :
COMMENTS :

**LEHMAN LED**

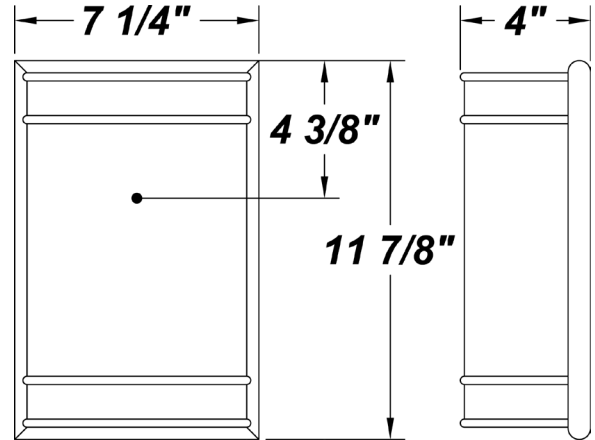


**FEATURES**

- Steel Mounting Pan w/ Hi-Reflectance White Powder Coat Finish
- White Acrylic Lens w/ Matte Chrome Resin Trim Accents
- Open Top & Bottom
- Mounts Directly to 4" Junction Box (By Others)
- CSA Listed Dry Location For Wall Mounting
- 120V 350mA Drivers Are Dimmable
- 277V 350mA Drivers Are Not Dimmable
- Mounting Hardware Included
- CSA Listed Dry Location
- ADA Compliant

**DIMMING FEATURES**

- Dimmable to <5%
- Dimmable With Either Triac or Electronic Dimmers
- Over-Current, Over-Voltage, and Short Circuit Protection
- Constant Current at 350 Milliamps
- UL Class 2 Driver - Power Factor >.90
- Estimated 50,000 Hours Life (L70)



**ORDERING INFORMATION**

Example : (LN- L17.0 - ZE500 - CM - 40K)

Matte Chrome is Standard Finish

LN	PRODUCT	SOURCE/WATTAGE	VOLTAGE	DRIVERS	DIFFUSER	FINISH	OPTIONS
	Lehman	L12.5 - (1) 40-LED Module L17.0 - (3) 12-LED Modules	120 - 277V (50 / 60Hz)	LT350 - 350mA Phase Dimming Driver (L12.5 Only) (Leading or Trailing Edge) (Dimmable @ 120V Only) (Dimmable to 10%) LT500 - 500mA Phase Dimming Driver (L17.0 Only) (Leading or Trailing Edge) (Dimmable @ 120V Only) (Dimmable to 10%) ZE500 - Line Voltage 4-Wire Dimming Driver (L17.0 Only) (Dimmable 0 - 10V)	Not Applicable	CM - Matte Chrome	30K - 3000K Color Temp. 35K - 3500K Color Temp. 40K - 4000K Color Temp. F - Fused

SOURCE/WATTAGE	30K SPECIFICATIONS
L12.5 - 12.5W LED Board - 12.5 Input Watts  50,000 Hours(L70)	<b>12.5W LED ARRAY</b> 30K - 3000K Color Temp. - 80 CRI Typ. - 1195 LED Source Lumens - 95.6 LED Source Lumens Per Watt
L17.0 - (3) 12W LED Boards - 17.0 Input Watts  50,000 Hours(L70)	<b>17.0W LED ARRAY</b> 30K - 3000K Color Temp. - 80 CRI Typ. - 2305 LED Source Lumens - 135.6 LED Source Lumens Per Watt

REPLACEMENT PARTS	PART NO.
White Acrylic Lens w/ Matte Chrome Trim	3070767

**NOTES**

We reserve the right to revise the design or components of any product due to parts availability or change in UL standards, without assuming any obligation or liability to modify any products previously manufactured, and without notice.

