

TIGER M LED

Architectural Indoor



PROJECT:	
TYPE:	
PO#:	QTY:
COMMENTS:	

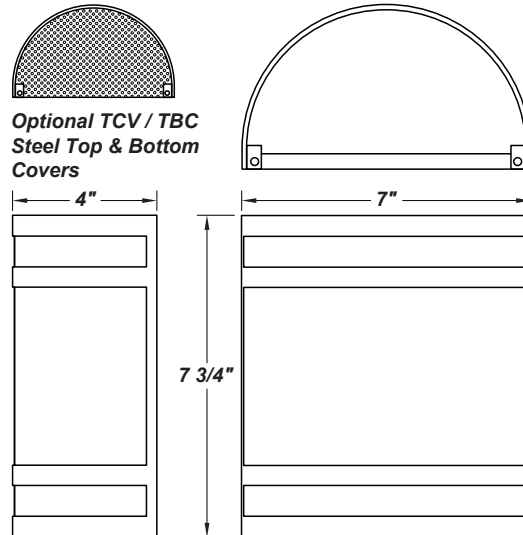


FEATURES

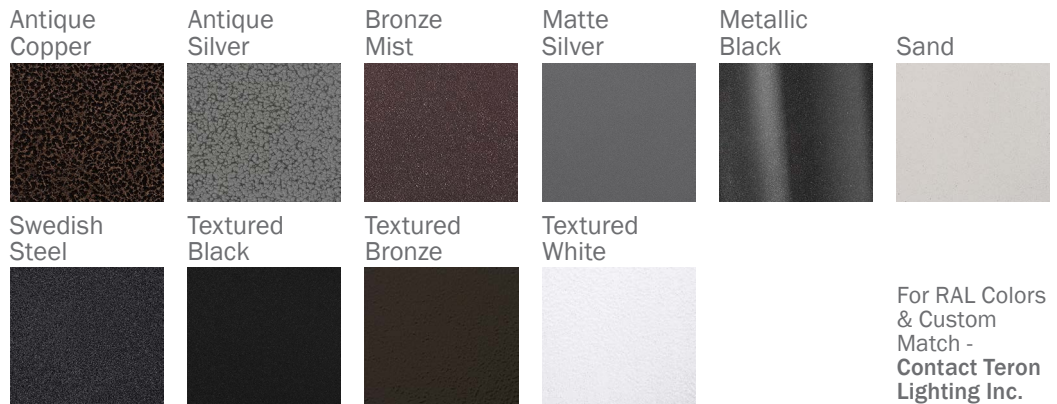
- Steel Fascia with Matte Silver Powder Coat Finish
- Aluminum Mounting Plate Mounts to Flat Surface
- Centered Over And Mounted to 4" J-Box (By Others)
- Luminous White Acrylic Diffuser
- Open Top & Bottom
- Dimmable to 10%
- ADA Compliant
- CSA Listed Dry Location For Wall Mount
- Mounting Hardware Included

LINE DRAWING

LINE DRAWING NOT TO SCALE



FINISHES



TIGER M LED

Architectural Indoor



Fixture Core

PROJECT:	
TYPE:	
PO#:	QTY:
COMMENTS:	

PRODUCT CODE	SOURCE/WATTAGE	VOLTAGE	DIMMING DRIVER
TGM - Tiger M	L10.5-LT350 - (1) 10.5W (40) LED Module @ 350mA 2-Wire Trailing or Leading Edge Driver L15.0-ZE500 - (1) 15.0W (40) LED Module @ 500mA Low Voltage 4-Wire Dimming Electronic Driver L16.0-LT500 - (1) 16.0W (40) LED Module @ 500mA 2-Wire Trailing or Leading Edge Driver	100 - 277V (120 - 230V Dimmable)	Not Applicable
ORDER INFO			
TGM Example ^	L10.5-LT350	100 - 277V	Not Applicable

Aesthetics & Options

TRIM	FINISH	COLOR TEMP	OPTIONS
Not Applicable	AC - Antique Copper TB - Textured Black AS - Antique Silver BT - Bronze Mist BZ - Textured Bronze MB - Metallic Black TW - Textured White SM - Matte Silver (Standard) SN - Sand SW - Swedish Steel	30K - 3000K Color Temp 35K - 3500K Color Temp 40K - 4000K Color Temp	F - Fused TBC - Perforated Steel Top & Bottom Covers TCV - Perforated Steel Top Cover
ORDER INFO			
Not Applicable Example ^	AC	30K	TCV

PROD	SOURCE	30K SPECS				
TGM	L10.5	<ul style="list-style-type: none"> 30K - 3000K Color Temp 11615 LED Source Lumens 153.8 LED Source Lumens Per Watt 				
	L15.0	<ul style="list-style-type: none"> 30K - 3000K Color Temp 2307 LED Source Lumens 153.8 LED Source Lumens Per Watt 				
	L16.0	<ul style="list-style-type: none"> 30K - 3000K Color Temp 2486 LED Source Lumens 155.4 LED Source Lumens Per Watt 				

REPLACEMENT PART	PART NO	NOTES
White Acrylic Lens	3042160	
		Don't see the configuration you are looking for? Call us today at (513) 858-6004



TERONLIGHTING.COM
 33 DONALD DR, FAIRFIELD, OH 45014
 P: 513.858.6004 F: 513.858.6038
 E: SALES@TERONLIGHT.COM



We reserve the right to revise the design components of any product due to parts availability or change in UL standards, without assuming any obligation or liability to modify any products previously manufactured, and without notice.