

COPPER CREEK 37"

Architectural Indoor



| | |
|-----------|------|
| PROJECT: | |
| TYPE: | |
| PO#: | QTY: |
| COMMENTS: | |

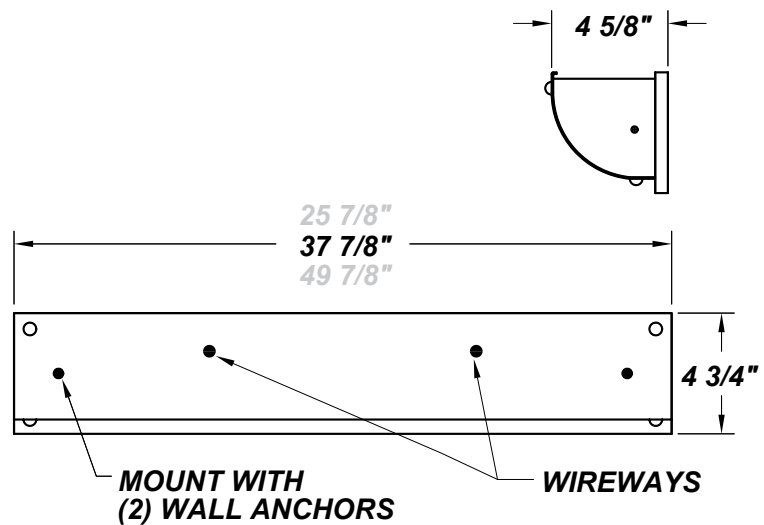
FEATURES

- Steel Housing with Brushed Nickel Plate Powder Coat Finish
- Steel Trim and Accents with Brushed Nickel Plate Powder Coat Finish
- Matte White Acrylic Diffuser
- Mounts Directly to Surface w/ Two Wall Anchors (Not Included)
- CSA Listed Damp Location For Surface Mount

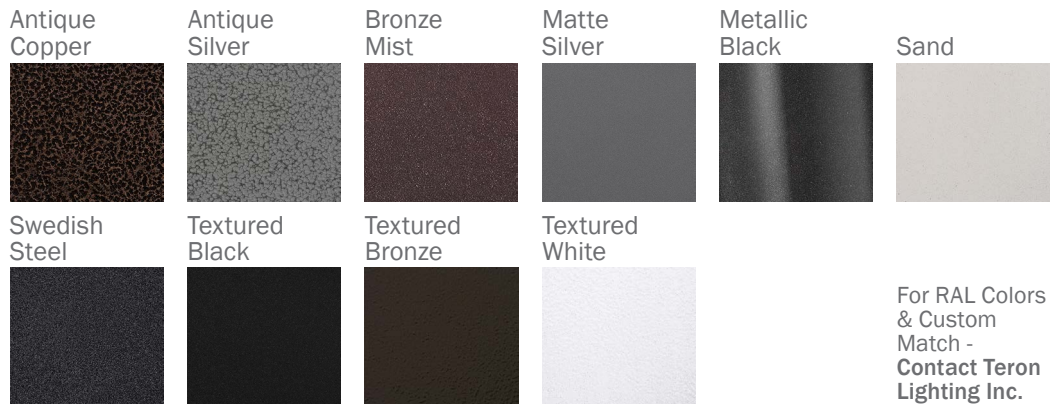


LINE DRAWING

LINE DRAWING NOT TO SCALE



FINISHES



COPPER CREEK 37"

Architectural Indoor



Fixture Core

| | |
|-----------|------|
| PROJECT: | |
| TYPE: | |
| PO#: | QTY: |
| COMMENTS: | |

| PRODUCT CODE | SOURCE/WATTAGE | VOLTAGE | DIMMING BALLAST |
|-------------------------|---|----------------------------|-----------------------|
| CK36 - Copper Creek 37" | 125E - (1) 25W T8 225E - (2) 25W T8 221E - (2) 21W T5 139E-HO - (1) 39W T5 HO (High-Output) 239E-HO - (2) 39W T5 HO | 120V 277V | Not Applicable |
| ORDER INFO | | | |
| CK36 | 125E | 120V | Not Applicable |

Example ^ (may not represent a manufacturable product)

Aesthetics & Options

| TRIM | FINISH | COLOR TEMP | OPTIONS |
|-----------------------|--|-----------------------|---|
| Not Applicable | AC - Antique Copper AS - Antique Silver BT - Bronze Mist BN - Brushed Nickel Plate (Standard) SM - Matte Silver MB - Metallic Black SN - Sand SW - Swedish Steel TB - Textured Black BZ - Textured Bronze TW - Textured White CH - Chrome SN - Satin Brass | Not Applicable | DIM - Dimming Balast (125E & 225E Only) EBR - Remote Mount Battery (Field Installed) F - Fused |
| ORDER INFO | | | |
| Not Applicable | AC | Not Applicable | DIM |

Example ^ (may not represent a manufacturable product)

| REPLACEMENT PART | PART NO | NOTES |
|----------------------------|---------|-------|
| 36" White Acrylic Diffuser | 3017660 | |

Don't see the configuration you are looking for?
Call us today at (513) 858-6004



TERONLIGHTING.COM
 33 DONALD DR, FAIRFIELD, OH 45014
 P: 513.858.6004 F: 513.858.6038
 E: SALES@TERONLIGHT.COM



We reserve the right to revise the design components of any product due to parts availability or change in UL standards, without assuming any obligation or liability to modify any products previously manufactured, and without notice.