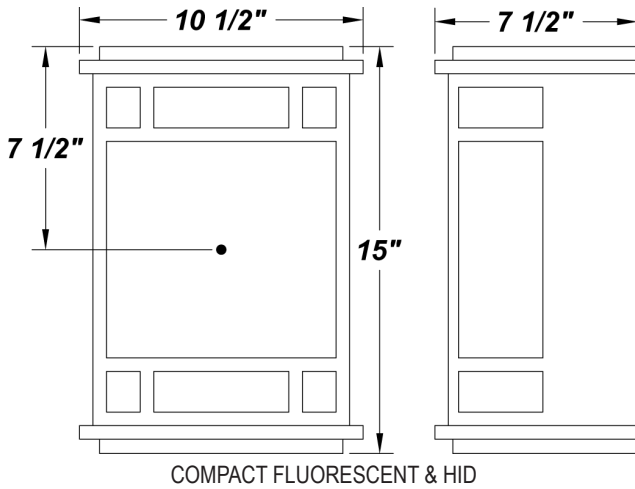


FAZIO HID



PROJECT :
TYPE :
ORDERING # :
COMMENTS :

FEATURES

- Steel Housing w/ Textured Black Polyester Powder Coat Finish
- Steel Mounting Pan w/ Hi-Reflectance White Powder Coat Finish
- Solid Top & Bottom End Plates
- Luminous White Polycarbonate Panels
- Mounts Directly to 4" Junction Box (By Others)
- Mounting Hardware Included
- Lamps Included
- Integral EM Battery Available (1x32W Max)
- ETL Listed Wet Location
- Metal Halide Wattages Are CSA Listed For Wall Mounting

ORDERING INFORMATION

Example : (FZH142X - 120E - WPL - 41K)

Textured Black is Standard Finish

PRODUCT	SOURCE/WATTAGE	VOLTAGE	DIFFUSER	FINISH	OPTIONS
Fazio HID	FZH50MH - (1) 50W MH FZH70MH - (1) 70W MH FZH50 - (1) 50W HPS FZH70 - (1) 70W HPS FZH132X - (1) 32W TBX FZH142X - (1) 42W TBX FZH157X - (1) 57W TBX FZH232X - (2) 32W TBX FZH242X - (2) 42W TBX	<u>METAL HALIDE (MH)</u> 120V - 120V HPF 120H - MT HPF (Wired 120V) MTH - MT HPF (Wired 277V) 347V - 347V HPF <u>HPS</u> 120V - 120V HPF 120H - MT HPF (Wired 120V) MTH - MT HPF (Wired 277V) (MT - Multi-Tap) <u>FLUORESCENT (F)</u> 120E - 120V Electronic 277E - 277V Electronic	WPL - White Polycarbonate (Standard) The Following Are To Be Used With Fluorescent Wattages ONLY WAL - White Acrylic	SM - Matte Silver TB - Textured Black AC - Antique Copper AS - Antique Silver BT - Bronze Mist CP - Copper SN - Sand SW - Swedish Steel BZ - Textured Bronze TW - Textured White RAL Colors or Custom Match - Consult Factory	41K - 4100K Color Temp. 35K - 3500K Color Temp. 30K - 3000K Color Temp. 27K - 2700K Color Temp. (Standard) F - Fused PCL - Photocell DIM - Dimming Ballast (Electronic Only) TP - Tamper Resistant Screws EBW / EBC - Integral Emergency Battery** (1x32W Maximum) EBR - Remote Mount Battery (Field Installed)** W2L - Wire 2 Lamps to Integral Emergency Battery (2x18W Max)

REPLACEMENT PARTS

PART NO.

White Polycarbonate Lens Panel Set	9800860
White Acrylic Lens Panel Set	9800960

We reserve the right to revise the design or components of any product due to parts availability or change in UL standards, without assuming any obligation or liability to modify any products previously manufactured, and without notice.

NOTES

***Fluorescent Only**

****Emergency Battery Options**

Initial light output in Emergency mode will last for a minimum of 90 minutes. 1 lamp wired unless ordered otherwise. The following are suitable for indoor and damp locations. Please refer to Bodine's specification sheet

EBW: Bodine's B94G (Electronic) - Temperature Rating (Ambient) 32° F - 131° F
EBC: Bodine's B4CF1 (Electronic) - Temperature Rating (Ambient) -4° F - 131° F
EBR: Bodine's B94CG (Electronic) - Temperature Rating (Ambient) 32° F - 122° F

*** For Electronic Wattage Fixtures Being Used in Conjunction With an Occupancy Sensor (Either Provided by us, or Your Own System), a Program Start Ballast is Recommended in Order to Maximize Lamp Life.

ARRA 2009



BUY AMERICA ACT