

PROJECT :
TYPE :
ORDERING # :
COMMENTS :

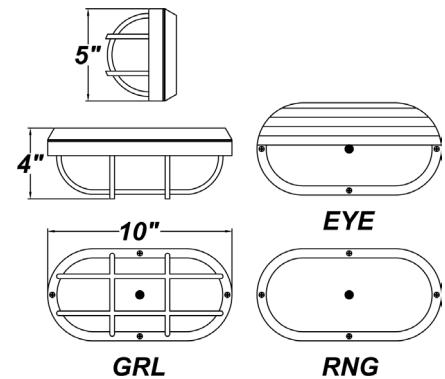
BIRDIE POLY OVAL LED



White and Black
Finishes Shown

FEATURES

- White or Black Polycarbonate Housing
- White or Black Polycarbonate Fascia
- Aluminum Back Pan w/ Powder Coat Finish
- Frosted White Polycarbonate Lens
- Ambient Operating Temperature -40° C (-40° F) to 40° C (105° F)
- Constant Current at 700 Milliamps
- UL Class 2 Driver - Power Factor >.90
- Estimated 50,000 Hours Life (L70)
- Thermal Protected LED Array
- Mounts Directly to 4" Junction Box (By Others)
- Mounting Hardware Included
- UL Listed Wet Location
- Wall or Ceiling Mount



ORDERING INFORMATION

Example : (BEO - L10.0 - RNG - 120-277V - RNG - WH - 40K)

PRODUCT	SOURCE/WATTAGE	VOLTAGE	FASCIA	FINISH	OPTIONS
BEO					
Birdie Poly Oval	L10.0 - (4) LED Array 50,000 Hours(L70) Please See "Options" Column For Specifications	120 - 277V (50 / 60Hz) Please See "Options" Column For Driver Specifications	GRL - Grill (Standard) RNG - Ring EYE - Eye	WH - White Polycarbonate (Standard) BK - Black Polycarbonate	10W LED ARRAY 40K - 4000K Color Temp. - 74 CRI Typ. - Constant Current at 700 Milliamps By Driver - 11.3W Input = 912 LED Source Lumens - 80 LED Source Lumens Per Watt TP - Tamper Resistant Screws PCL120 - Photocell 120V PCL277 - Photocell 277V

REPLACEMENT PARTS

REPLACEMENT PARTS	PART NO.
White Polycarbonate Lens	3400660

NOTES

We reserve the right to revise the design or components of any product due to parts availability or change in UL standards, without assuming any obligation or liability to modify any products previously manufactured, and without notice.

