

BIRDIE POLY RD RNG LED

Architectural Outdoor



| | |
|-----------|------|
| PROJECT: | |
| TYPE: | |
| PO#: | QTY: |
| COMMENTS: | |

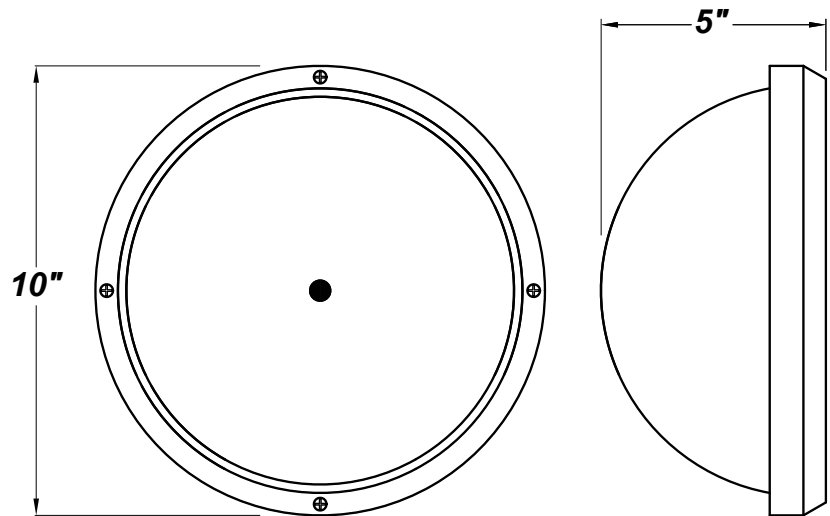
FEATURES

- White or Black Polycarbonate Housing and Fascia
- Aluminum Back Pan w/ Powder Coat Finish
- Frosted White Polycarbonate Lens
- Ambient Operating Temperature -40° C (-40° F) to 40° C (105° F)
- Constant Current at 700 Milliamps
- UL Class 2 Driver - Power Factor >.90
- Thermal Protected LED Array
- Wall or Ceiling Mount
- LED Light Fixture
- Mounting Hardware Included
- UL Listed Wet Location
- Vandal Resistant

LINE DRAWING



LINE DRAWING NOT TO SCALE



FINISHES

For RAL Colors
& Custom
Match -
Contact Teron
Lighting Inc.

BIRDIE POLY RD RNG LED

Architectural Outdoor



Fixture Core

| | |
|-----------|------|
| PROJECT: | |
| TYPE: | |
| PO#: | QTY: |
| COMMENTS: | |

| PRODUCT CODE | SOURCE/WATTAGE | VOLTAGE | DIMMING DRIVER |
|---------------------------------|--|---|-----------------------|
| BER - Birdie Poly RD LED | L18.0 - 22W @ 700 Constant Current Driver | 120V 277V (50 / 60Hz) | Not Applicable |
| ORDER INFO | | | |
| BER | L18.0 | 120V | Not Applicable |

Example ^ (may not represent a manufacturable product)

Aesthetics & Options

| TRIM | FINISH | COLOR TEMP | OPTIONS |
|------------|---|-------------------------------|---|
| RNG | BK - Black Polycarbonate WH - White Polycarbonate (Standard) | 40K - 4000K Color Temp | PCL - Photocell TP - Tamper Resistant Screws |
| ORDER INFO | | | |
| RNG | BK | 40K | PCL |

Example ^ (may not represent a manufacturable product)

| PROD | SOURCE | 40K SPECS | | | |
|------------|--------|---|--|--|--|
| BER | L18.0 | <ul style="list-style-type: none"> 40K - 4000K Color Temp 1824 LED Source Lumens 82 LED Source Lumens Per Watt | | | |

| REPLACEMENT PART | PART NO | NOTES |
|------------------------------------|---------|-------|
| White Polycarbonate Lens | 3400760 | |
| Birdie Poly Round White RNG Fascia | 5510002 | |
| Birdie Poly Round Black RNG Fascia | 5510001 | |

Don't see the configuration you are looking for?
Call us today at (513) 858-6004



TERONLIGHTING.COM
33 DONALD DR, FAIRFIELD, OH 45014
P: 513.858.6004 F: 513.858.6038
E: SALES@TERONLIGHT.COM



We reserve the right to revise the design components of any product due to parts availability or change in UL standards, without assuming any obligation or liability to modify any products previously manufactured, and without notice.