

# BIRDIE POLY BFP OV GRL LED

Architectural Outdoor



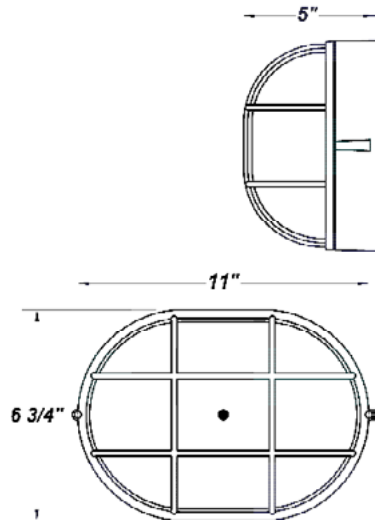
PROJECT:	
TYPE:	
PO#:	QTY:
COMMENTS:	

## FEATURES

- White or Black Polycarbonate Housing and Fascia
- Aluminum Back Pan w/ Powder Coat Finish
- Frosted White Polycarbonate Lens
- Ambient Operating Temperature -40° C (-40° F) to 40° C (105° F)
- Constant Current at 700 Milliamps
- UL Class 2 Driver - Power Factor >.90
- Thermal Protected LED Array
- Mounts Directly to 4" Junction Box (By Others)
- Wall Mount
- LED Light Fixture
- Mounting Hardware Included
- UL Listed Wet Location
- Vandal Resistant

## LINE DRAWING

LINE DRAWING NOT TO SCALE



## FINISHES

For RAL Colors  
& Custom  
Match -  
Contact Teron  
Lighting Inc.

# BIRDIE POLY BFP OV GRL LED

Architectural Outdoor



Fixture Core

PROJECT:	
TYPE:	
PO#:	QTY:
COMMENTS:	

PRODUCT CODE	SOURCE/WATTAGE	VOLTAGE	DIMMING DRIVER
BEO - Bidie Poly BFP OV	L10.0 - 11.3W @ 700mA Constant Current Driver	120V 277V (50 / 60Hz)	Not Applicable
ORDER INFO			
BEO	L10.0	120V	Not Applicable

Example ^ (may not represent a manufacturable product)

Aesthetics & Options

TRIM	FINISH	COLOR TEMP	OPTIONS
GRL	BK - Black Polycarbonate WH - White Polycarbonate (Standard)	40K - 4000K Color Temp	Not Applicable
ORDER INFO			
GRL	BK	40K	Not Applicable

Example ^ (may not represent a manufacturable product)

PROD	SOURCE	40K SPECS			
BEO	L10.0	<ul style="list-style-type: none"> <li>40K - 4000K Color Temp</li> <li>912 LED Source Lumens</li> <li>80 LED Source Lumens Per Watt</li> </ul>			

REPLACEMENT PART	PART NO	NOTES
White Polycarbonate Lens	3400660	Don't see the configuration you are looking for? Call us today at (513) 858-6004



TERONLIGHTING.COM  
33 DONALD DR, FAIRFIELD, OH 45014  
P: 513.858.6004 F: 513.858.6038  
E: SALES@TERONLIGHT.COM



We reserve the right to revise the design components of any product due to parts availability or change in UL standards, without assuming any obligation or liability to modify any products previously manufactured, and without notice.