



**INSTALLATION & MAINTENANCE INSTRUCTIONS  
FOR THE  
CORNERSTONE MINI - LED  
Wall Mounted Luminaire**

76115 REV.1

**WARNING:** DISCONNECT POWER PRIOR TO INSTALLATION OR SERVICING OF FIXTURE

**NOTE:** THIS PRODUCT MUST BE INSTALLED IN ACCORDANCE WITH THE APPLICABLE LOCAL & NATIONAL ELECTRICAL CODES BY A PERSON FAMILIAR WITH THE CONSTRUCTION AND FAMILIAR WITH THE OPERATION OF THE PRODUCT AND HAZARDS INVOLVED.



FIG. 1

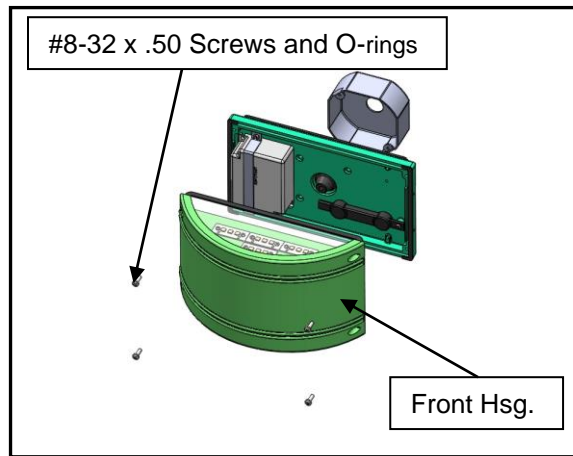


FIG. 2

**INSTALLATION**

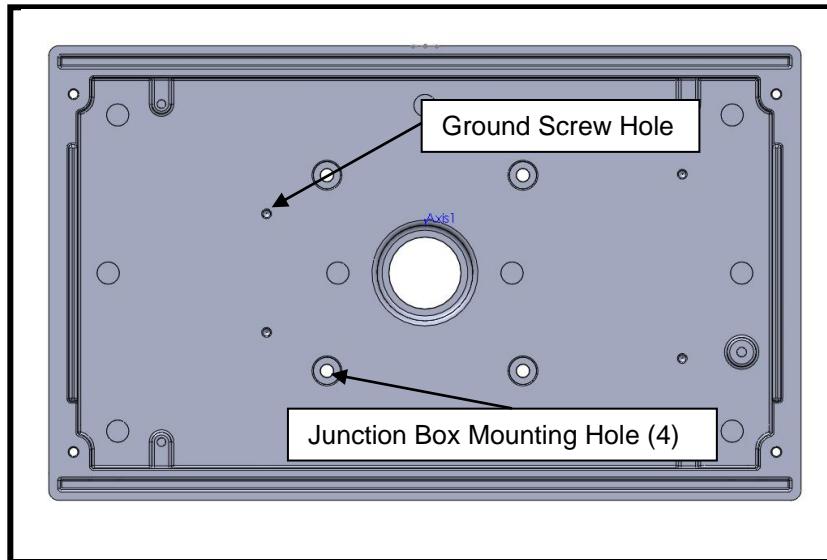
1. Remove any excess packing from the fixture.
2. Remove the Front Housing from wall mounting plate (Rear Housing) (in Figure 2) by loosening and removing the (4) #8-32 X 1/2 Pan Head Screws and O-rings.
3. Pull the supply leads through the center hole in the Wall Mounting Plate.
4. Attach the Wall Mounting Plate to junction box using (2) #8-32 X 1 PH screws.
5. Connect the fixture leads to the supply leads. Teron stipulates the Black as Line, White as Common, and Bare/Green as ground.
6. Reassemble fixture by reattaching the Front Housing Assembly to the Wall Mounting Plate (Rear Housing) and securing the assembly in place with (4) #8-32 x 1/2 Pan Head Screws and O-rings.

**MAINTENANCE**

DO NOT use cleansers containing bleach.

The metal portion of the fixture can be wiped clean as needed using a mild soap solution.

**ATTENTION:** Avoid moving any exposed wires. If any wires are accidentally disconnected, call a professional to repair.



**NOTE:** Fixture is to be mounted to the junction box using 8-32 x .75 screws

