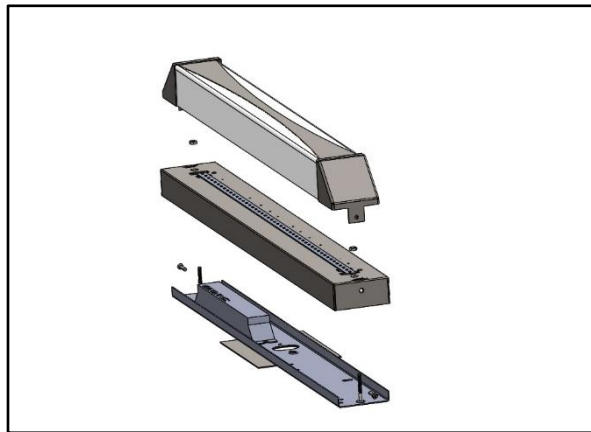
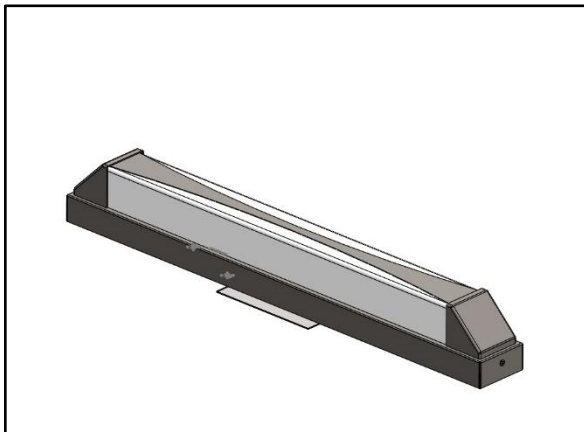




**INSTALLATION & MAINTENANCE INSTRUCTIONS  
FOR THE  
TORINO 2' LED  
ARCHITECTURAL VANITY**  
P.N.: 76170 REV. 1

**NOTE: THIS PRODUCT MUST BE INSTALLED IN ACCORDANCE WITH THE APPLICABLE LOCAL & NATIONAL ELECTRICAL CODES BY A PERSON FAMILIAR WITH THE CONSTRUCTION AND FAMILIAR WITH THE OPERATION OF THE PRODUCT AND HAZARDS INVOLVED.**



## **INSTALLATION**

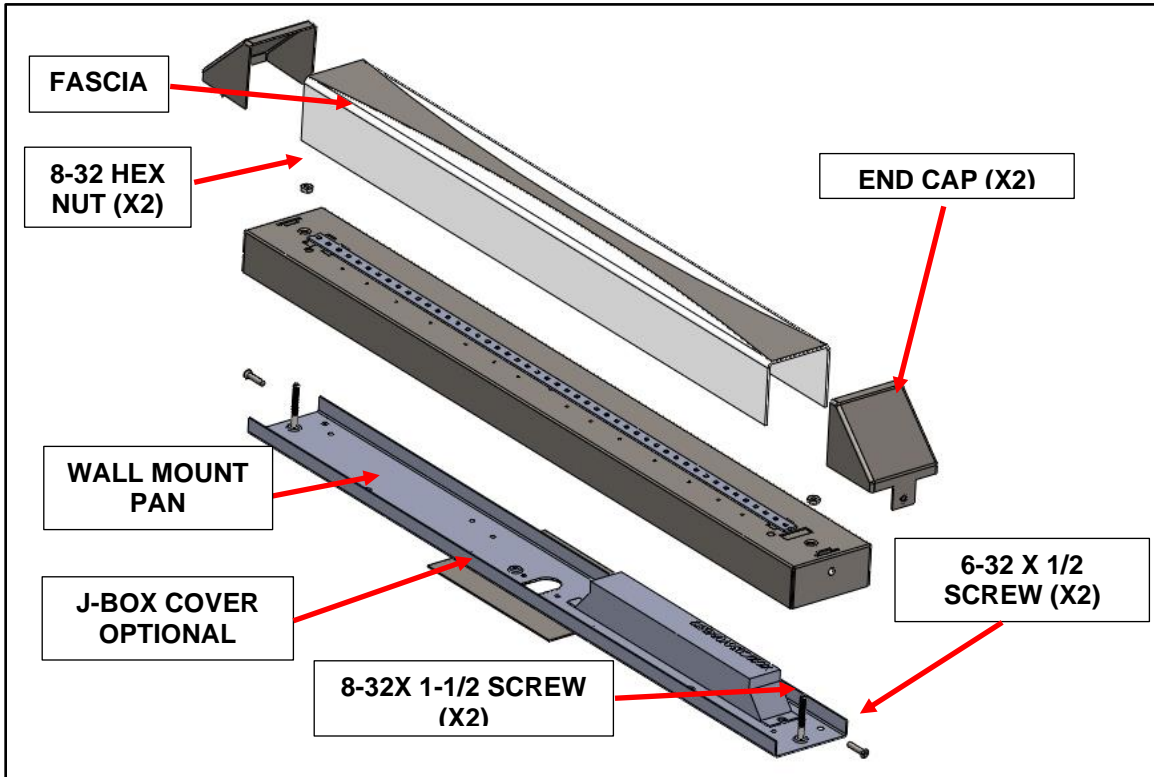
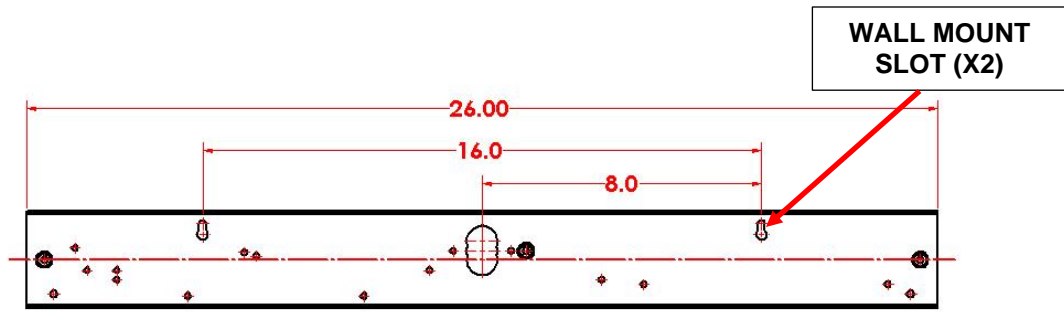
1. *Make sure the power to the area working in is shut off to avoid serious injury from electrical shock.*
2. *Remove any excess packing from the fixture.*
3. *This fixture is designed to be mounted to either a 2" junction box (supplied by customer), a 4" junction box (supplied by customer) with optional j-box cover, or directly to wall with wall anchors - alternate method. Open the housing assembly by removing the (2) 8-32 x 1/2" flathead screws located on both ends of the fixture. Remove fascia from fixture.*
4. *Remove the (2) 8-32 nuts holding the LED assembly to the wall mount pan to access the mounting holes.*
5. *Line up the back of the housing in desired location, completely covering junction box and mount securely to the wall with 2 suitable fasteners supplied by the customer. For mounting to a 4" j-box (not included), screw the optional 4" j-box cover to the back of the fixture and mount to the wall.*
6. *Complete the wiring to the power source and ground. The black as line; white as common; bare/green as ground. Wire connections to be made inside of housing.*
7. *Reassemble the LED assembly back on to the wall mount with the (2) 8-32 x 1/4" screws.*
8. *Reassemble the housing to the mount with the (2) 8-32 X 1/2" flathead screws.*

## **MAINTENANCE**

*DO NOT use cleansers containing bleach.*

*The metal portion of the fixture can be wiped clean as needed using a mild soap solution.*

**ATTENTION:** *Avoid moving any exposed wires. If any wires are accidentally disconnected, call a professional to repair*



**WIRING DIAGRAM**

