

# LANCER LED

Architectural Outdoor



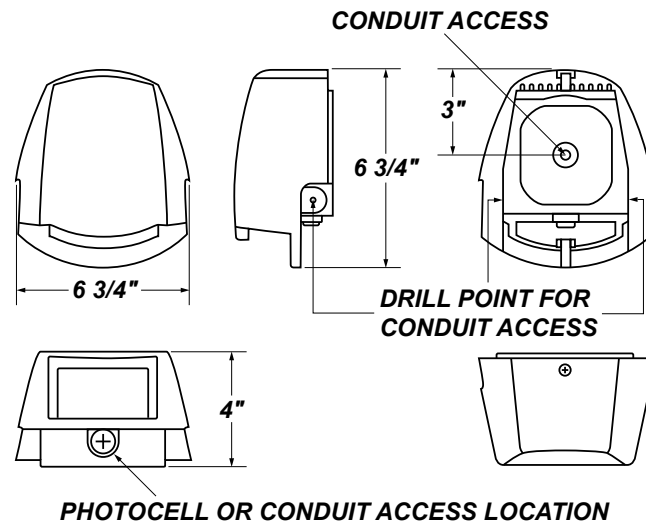
PROJECT:	
TYPE:	
PO#:	QTY:
COMMENTS:	

## FEATURES

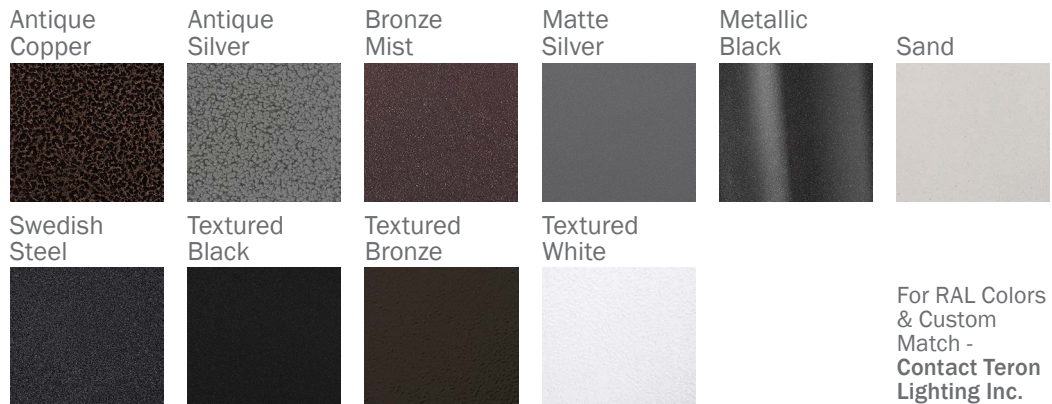
- Die-Cast Aluminum Housing w/ Textured Bronze Polyester Powder Coat Finish
- Constant Current Dimming Available
- LED Light Source - 11W Nominal
- Surge Protector
- 120V - 277V
- Mounts Directly to Junction Box
- ADA Compliant
- CSA Listed For Wall Mount and Down Light Only
- LED Light Fixture

## LINE DRAWING

LINE DRAWING NOT TO SCALE



## FINISHES



# LANCER LED

Architectural Outdoor



Fixture Core

PROJECT:	
TYPE:	
PO#:	QTY:
COMMENTS:	

PRODUCT CODE	SOURCE/WATTAGE	VOLTAGE	DIMMING DRIVER
LCR - Lancer	<b>L10.8-LE350</b> - (1) 10.8W @ 350mA Phase Dimming Driver (Dimmable @ 120V Only) <b>L10.8-TE350</b> - (1) 10.8W @ 350mA ELV Dimming Driver	<b>120V</b> <b>277V</b> (50/60 Hz)	Not Applicable
ORDER INFO			
LCR	L10.8-LE350	120V	Not Applicable

Example ^ (may not represent a manufacturable product)

Aesthetics & Options

TRIM	FINISH	COLOR TEMP	OPTIONS
Not Applicable	<b>AC</b> - Antique Copper <b>AS</b> - Antique Silver <b>BT</b> - Bronze Mist <b>SM</b> - Matte Silver <b>MB</b> - Metallic Black <b>SN</b> - Sand <b>SW</b> - Swedish Steel <b>TB</b> - Textured Black	<b>BZ</b> - Textured Bronze (Standard) <b>TW</b> - Textured White <b>27K</b> - 2700K Color Temp. <b>30K</b> - 3000K Color Temp. <b>40K</b> - 4000K Color Temp.	PCL - Photocell*
ORDER INFO			
Not Applicable	AC	27K	PCL

Example ^ (may not represent a manufacturable product)

PROD	SOURCE	30K SPECS			
LCR	L10.8	<ul style="list-style-type: none"> <li>30K - 3000K Color Temp</li> <li>1000 LED Source Lumens</li> <li>90.1 LED Source Lumens Per Watt</li> </ul>			

REPLACEMENT PART	PART NO	NOTES
Not Applicable	Not Applicable	*Photocell Located in the Bottom Conduit Access Point - See Fixture Schematic  Don't see the configuration you are looking for? Call us today at (513) 858-6004



**TERONLIGHTING.COM**  
 33 DONALD DR, FAIRFIELD, OH 45014  
 P: 513.858.6004 F: 513.858.6038  
 E: SALES@TERONLIGHT.COM



We reserve the right to revise the design components of any product due to parts availability or change in UL standards, without assuming any obligation or liability to modify any products previously manufactured, and without notice.