

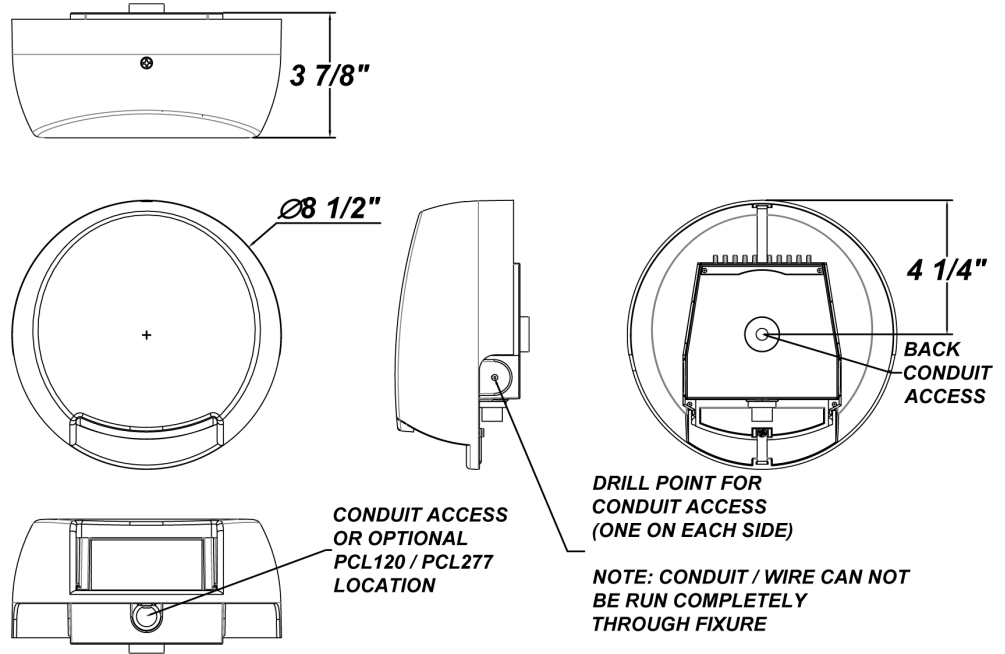
**DREXEL LED**



|              |
|--------------|
| PROJECT :    |
| TYPE :       |
| ORDERING # : |
| COMMENTS :   |

**FEATURES**

- Die-Cast Aluminum Housing w/ Textured Bronze Polyester Powder Coat Finish
- Surge Protector
- Mounts Directly to Junction Box
- CSA Listed For Wall Mount & Down Light Only
- Constant Current Dimming Available
- LED Light Source - 11W Nominal
- 120V - 277V
- ADA Compliant



**ORDERING INFORMATION**

Example : (DRX - L10.8 - 120-277V - LE350 - BZ - 30K)

Textured Bronze is Standard Finish

| PRODUCT    | SOURCE/WATTAGE        | VOLTAGE                  | DRIVER OPTIONS  | FINISH  | OPTIONS  |
|------------|-----------------------|--------------------------|---|---|--|
| Drexel LED | L10.8 - (1) 10.8W LED | 120 - 277V<br>(50/60 Hz) | LE350 - 350mA Phase Dimming Driver<br>(Dimmable @ 120V Only)<br><br>TE350 - 350mA Low Voltage Dimming Electronic Driver | BZ - Textured Bronze<br>SM - Matte Silver<br>TB - Textured Black<br>AC - Antique Copper<br>AS - Antique Silver<br>BT - Bronze Mist<br>CP - Copper<br>SN - Sand<br>SW - Swedish Steel<br>TW - Textured White<br>RAL Colors or Custom Match - Consult Factory<br>NOTE: Front Cover Only Being Painted | 27K - 2700K Color Temperature<br>30K - 3000K Color Temperature<br>40K - 4000K Color Temperature<br>PCL120V - Photocell 120V<br>PCL277V - Photocell 277V<br><br>Note: Photocell Would be Located in The Bottom Conduit Access Point, as Specified in The Line Drawing Above |

**NOTES**

We reserve the right to revise the design or components of any product due to parts availability or change in UL standards, without assuming any obligation or liability to modify any products previously manufactured, and without notice.





|              |
|--------------|
| PROJECT :    |
| TYPE :       |
| ORDERING # : |
| COMMENTS :   |

| PRODUCT    | SOURCE/WATTAGE           | 27K SPECIFICATIONS  | 30K SPECIFICATIONS   | 40K SPECIFICATIONS   |
|------------|--------------------------|---|--|--|
| Drexel LED | L10.8 - 10.8W LED Module | <b>L10.8</b><br><b>27K - 2700K Color Temp.</b><br>- 27 fV, Color Temp = 2700K Nominal<br>- Constant Current 350 Milliamps Driver<br>- 11W Nominal Output = 930 LED Lumens<br>- Estimated 84.5 Lumens Per Watt | <b>L10.8</b><br><b>30K - 3000K Color Temp.</b><br>- 27 fV, Color Temp = 3000K Nominal<br>- Constant Current 350 Milliamps Driver<br>- 11W Nominal Output = 1000 LED Lumens<br>- Estimated 90.1 Lumens Per Watt | <b>L10.8</b><br><b>40K - 4000K Color Temp.</b><br>- 27 fV, Color Temp = 4000K Nominal<br>- Constant Current 350 Milliamps Driver<br>- 11W Nominal Output = 1060 LED Lumens<br>- Estimated 96.3 Lumens Per Watt |

