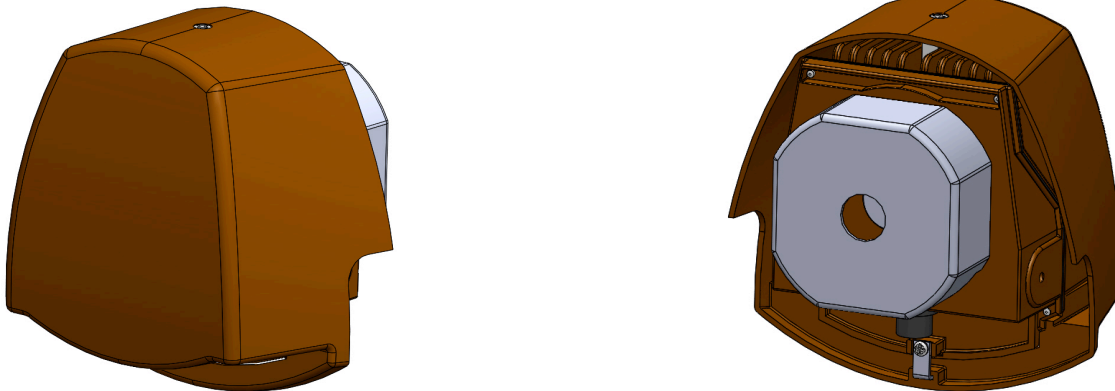




INSTALLATION & MAINTENANCE INSTRUCTIONS  
FOR THE  
**LANCER - LED**  
Wall Mounted Luminaire

76120 REV.1

**NOTE: THIS PRODUCT MUST BE INSTALLED IN ACCORDANCE WITH THE APPLICABLE LOCAL & NATIONAL ELECTRICAL CODES BY A PERSON FAMILIAR WITH THE CONSTRUCTION AND FAMILIAR WITH THE OPERATION OF THE PRODUCT AND HAZARDS INVOLVED.**

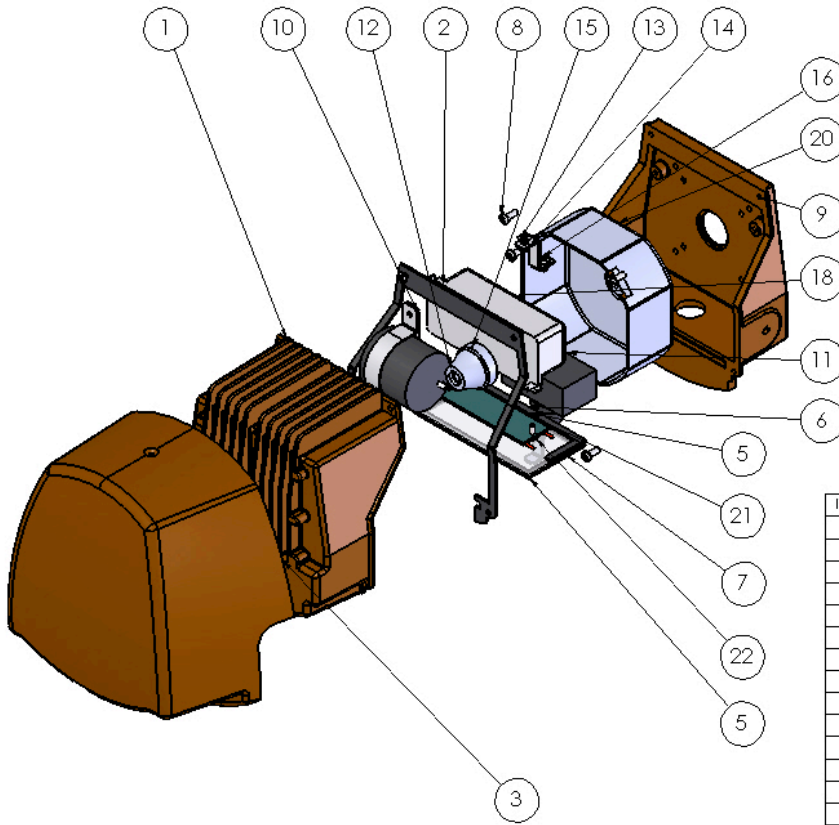


## INSTALLATION

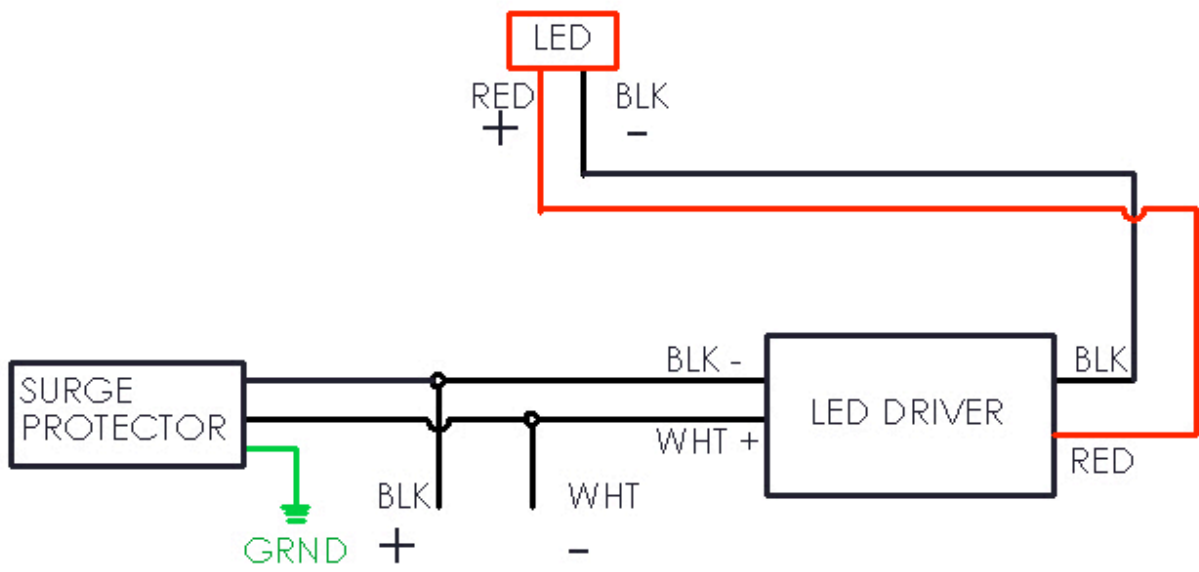
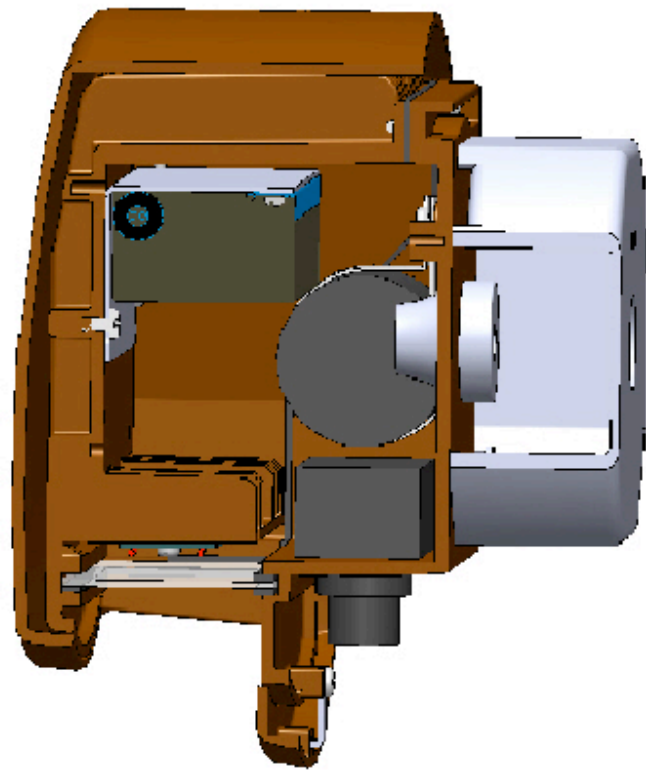
1. Remove any excess packing from the fixture.
2. This fixture is designed to be mounted to a junction box (supplied by customer), or directly to wall anchors - alternate method. Open the housing assembly by removing (3) 8-32 X .312 flat head self threading screws.  
Prepare the back of the housing for mounting by drilling the appropriate diagonal holes to match the j-box pattern or alternate pattern.
3. Line up the back of the housing in desired location, completely covering junction box and mount securely to the junction box with (2) 8-32 X 1" pan head screws.
4. Complete the wiring to the power source and ground.  
the Black as Line; White as Common; Bare/Green as Ground.  
Wire connections to be made inside of housing.
5. Reassemble the 2 housing halves with the (4) 6-32 X .312 screws. Attach the front fascia to the housing assembly using the 8-32 X .500 flat head self threading screw.
6. Outdoor wall fixtures must be caulked with a suitable waterproof sealant across the top, and at least "half way" down each side of the fixture to properly seal it to the mounting surface. A small space should be open at the bottom for excess moisture runoff.

## MAINTENANCE

DO NOT use cleansers containing bleach.  
The metal portion of the fixture can be wiped clean as needed using a mild soap solution.  
**ATTENTION:** Avoid moving any exposed wires. If any wires are accidentally disconnected, call a professional to repair.



ITEM NO.	PART NUMBER	QTY.
1	RLR118PL-HSG COMP-PL- V2.1	1
2	RLR119 HSG GSKT-ALT-PL-V 2.1-1-24-2015	1
3	RLR101 REV 2B-WDG FASCIA -10-19-2013	1
4	RLR106	1
5	RLR115	1
6	RLR114	1
7	RLR116-GASKET, LENS PART C	2
8	6-32X375 PH SELF TAPPING SCREW	6
9	RLR117 CVR PL ALT-2- 8-2014	1
10	RLR104 SURGE BRKTI A-5-05-2013	1
11	PHOTO CELL	1
12	SURGE SUPPRESSOR-BPS3-TR	1
13	8-32X.25 FL SCREW	1
14	RLR107 FACIA CLIP 1A-5-05-2013	1
15	85061 - BUSHING-HEYCO WATER TIGHT-4017	1
16	6-32X250 PH SELF TAPPING SCREW	3
17	RLR110 WEDGE FACIA EXT CLIP BOTTOM	1
18	DRIVER-20W-LP20W	1
19	PC NUT	1



**WIRING DIAGRAM**