

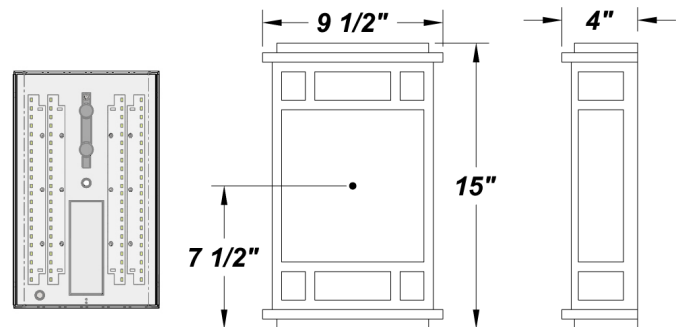
FAZIO LED



PROJECT :
TYPE :
ORDERING # :
COMMENTS :

FEATURES

- Steel Housing w/ Textured Black Polyester Powder Coat Finish
- Aluminum Heat-Sink Plate
- Solid Top & Bottom End Plates
- Luminous White Acrylic Panels
- Thermal Compensation Technology Ensures Longer LED Lifetime, Which is Ideal For Fixtures Being Placed in Area With Fluctuating or Higher Ambient Temperatures
- 100V - 277V
- Surge Protector
- CSA Listed Wet Location
- Mounts Directly to 4" Junction Box (By Others)
- Mounting Hardware Included
- ADA Compliant



ORDERING INFORMATION

Example : (FZ - L37.0 - WAL - ZE1100 - TB - 51K) Textured Black is Standard Finish

PRODUCT	SOURCE/WATTAGE	VOLTAGE	DIFFUSER	DRIVER OPTIONS	FINISH	OPTIONS
Fazio	L37.0 - 37.0W LED Strips	120 - 277V (120 - 230V Dimmable)	WAL - White Acrylic	ZE1100 - 1100mA Low Voltage Dimming Electronic Driver (For L37.0) (Dimmable 0 - 10V)	SM - Matte Silver TB - Textured Black AC - Antique Copper AS - Antique Silver BT - Bronze Mist CP - Copper KC - Kenworth Chrome SN - Sand SW - Swedish Steel BZ - Textured Bronze TW - Textured White RAL Colors or Custom Match - Consult Factory	51K - 5100K Color Temp. 40K - 4000K Color Temp. 35K - 3500K Color Temp. 30K - 3000K Color Temp. 27K - 2700K Color Temp. TP - Tamper-Proof Screws F - Fused See Page 2 for Wattage Specifications

REPLACEMENT PARTS	PART NO.
White Acrylic Lens Panel Set	9800660

NOTES

We reserve the right to revise the design or components of any product due to parts availability or change in UL standards, without assuming any obligation or liability to modify any products previously manufactured, and without notice.





PROJECT :
TYPE :
ORDERING # :
COMMENTS :

PRODUCT	SOURCE/WATTAGE	27K SPECIFICATIONS	30K SPECIFICATIONS	35K SPECIFICATIONS
Fazio	L37.0 - 37.0W LED Strips - (1) 40 Watt Driver	L37.0 - 37.0W LED Strips 27K - 2700K Color Temp. - 3 Nichia NS3x183 Series LEDs Per Module - SW30Bin, Color Temp = 2700K Nominal - Voltage Regulated at 12 Volts by Driver - 80 CRI typ. (75 CRI min) 3754 Board Lumens - 44W Input = Estimated 85.3 Lumens Per Watt	L37.0 - 37.0W LED Strips 30K - 3000K Color Temp. - 3 Nichia NS3x183 Series LEDs Per Module - SW51Bin, Color Temp = 3000K Nominal - Voltage Regulated at 12 Volts by Driver - 80 CRI typ. (75 CRI min) 3835 Board Lumens - 44W Input = Estimated 87.2 Lumens Per Watt	L37.0 - 37.0W LED Strips 35K - 3500K Color Temp. - 3 Nichia NS3x183 Series LEDs Per Module - SW51Bin, Color Temp = 3500K Nominal - Voltage Regulated at 12 Volts by Driver - 80 CRI typ. (75 CRI min) 3916 Board Lumens - 44W Input = Estimated 89 Lumens Per Watt

PRODUCT	SOURCE/WATTAGE	40K SPECIFICATIONS	51K SPECIFICATIONS
Fazio	L37.0 - 37.0W LED Strips - (1) 40 Watt Driver	L37.0 - 37.0W LED Strips 40K - 4000K Color Temp. - 3 Nichia NS3x183 Series LEDs Per Module - SW30Bin, Color Temp = 4000K Nominal - Voltage Regulated at 12 Volts by Driver - 80 CRI typ. (75 CRI min) 4037 Board Lumens - 44W Input = Estimated 91.8 Lumens Per Watt	L37.0 - 37.0W LED Strips 51K - 5100K Color Temp. - 3 Nichia NS3x183 Series LEDs Per Module - SW51Bin, Color Temp = 5100K Nominal - Voltage Regulated at 12 Volts by Driver - 80 CRI typ. (75 CRI min) 4158 Board Lumens - 44W Input = Estimated 94.5 Lumens Per Watt

ARRA 2009



ADA
Compliant

BUY AMERICA ACT