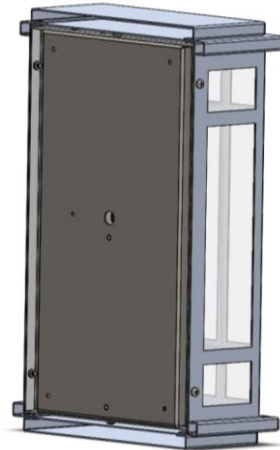
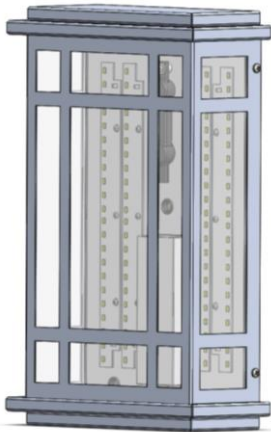




**INSTALLATION & MAINTENANCE INSTRUCTIONS  
FOR THE  
ADAMS – LED, FALDO – LED, FAZIO – LED,  
DUVAL – LED, BRIDGESTONE - LED  
OUTDOOR SERIES P.N.: 76133 REV.1**

**NOTE: THIS PRODUCT MUST BE INSTALLED IN ACCORDANCE WITH THE APPLICABLE LOCAL & NATIONAL ELECTRICAL CODES BY A PERSON FAMILIAR WITH THE CONSTRUCTION AND FAMILIAR WITH THE OPERATION OF THE PRODUCT AND HAZARDS INVOLVED.**



## **INSTALLATION**

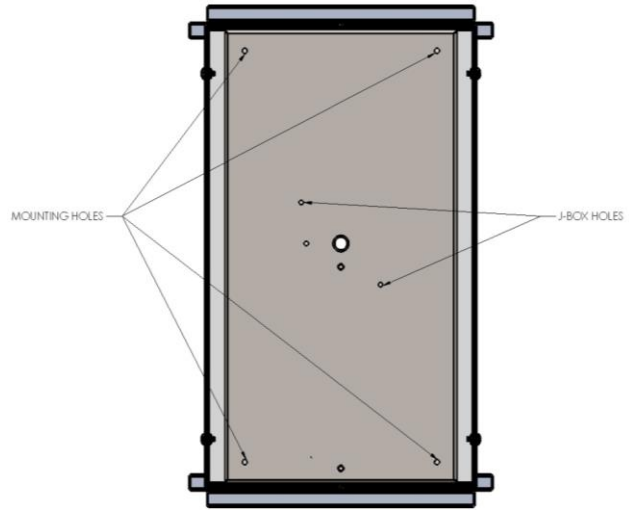
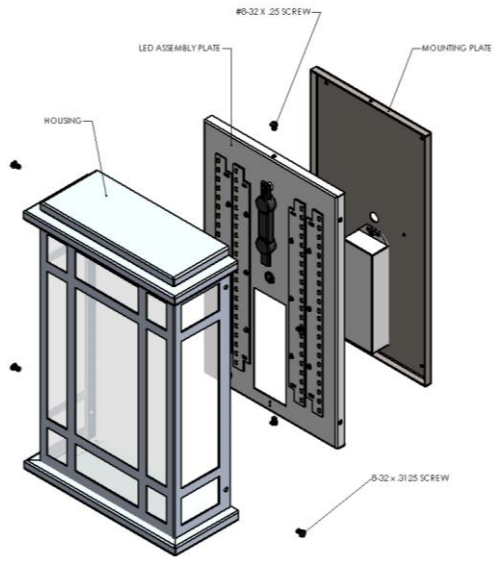
1. *Make sure the power to the area working in is shut off to avoid serious injury from shock.*
2. *Remove any excess packing from the fixture.*
3. *This fixture is designed to be mounted to a 4" junction box (supplied by customer) or directly to wall with anchors – (alternate method). Open the housing assembly by removing the (4) 8-32 x 5/16" pan head screws located on both sides of the fixture.*
4. *Remove the (2) 8-32 x 1/4" screws holding the LED assembly plate to the mounting plate to access the mounting holes.*
5. *Line up the back of the mounting plate in desired location, completely covering the junction box and mount securely to the wall with 4 suitable fasteners supplied by the customer.*
6. *Complete the wiring to the power source and ground. The black as line; white as common; bare/green as ground. Wire connections to be made inside of housing.*
7. *Reassemble the LED assembly plate back on to the mounting plate with the (2) 8-32 x 1/4" screws.*
8. *Reassemble the housing to the mount with the (4) 8-32 X 5/16" pan head screws.*
9. *Outdoor wall fixtures must be caulked with a suitable, waterproof sealant across the top and at least "half way" down each side of the fixture to properly seal it to the mounting surface. A small space should be open at the bottom for excess moisture to runoff.*

## **MAINTENANCE**

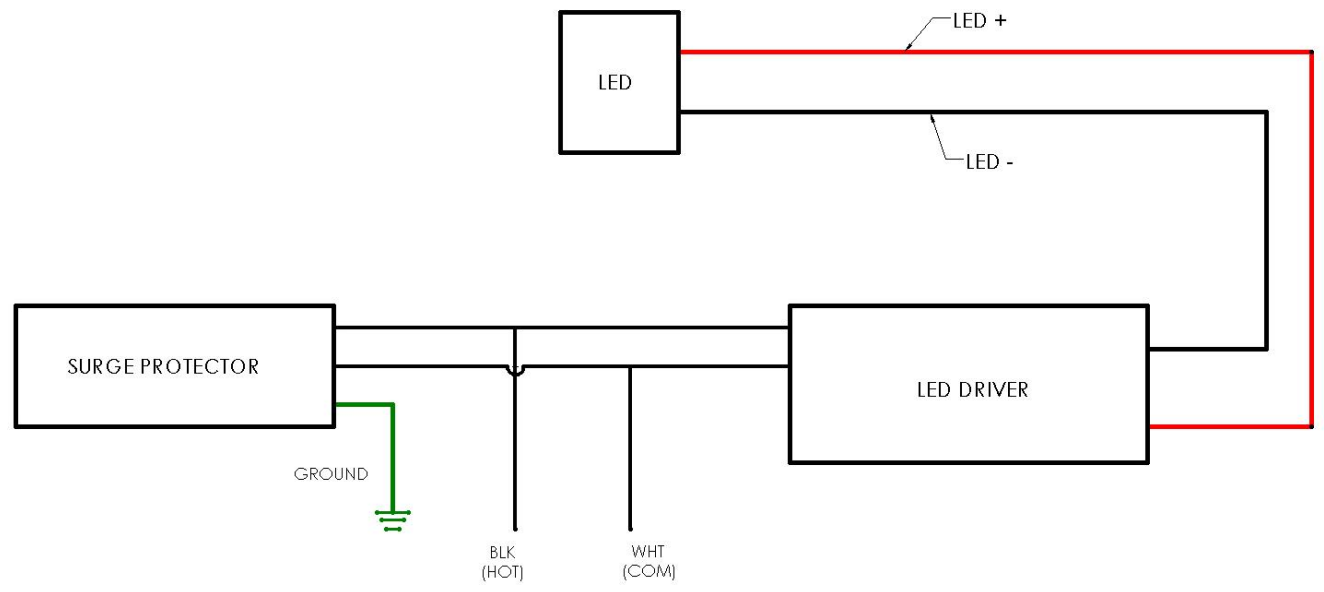
*The fixture can be wiped clean as needed using a mild soap solution.*

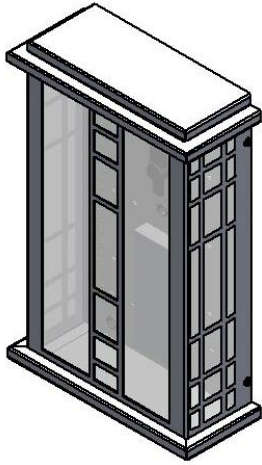
## **ATTENTION:**

*Avoid moving any exposed wires. If any wires are accidentally disconnected, call a professional to repair.*

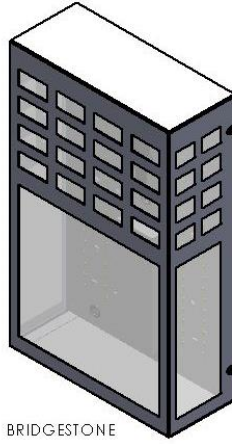


**WIRING DIAGRAM**

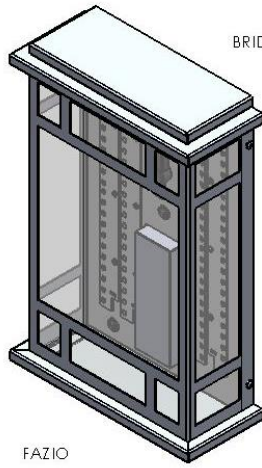




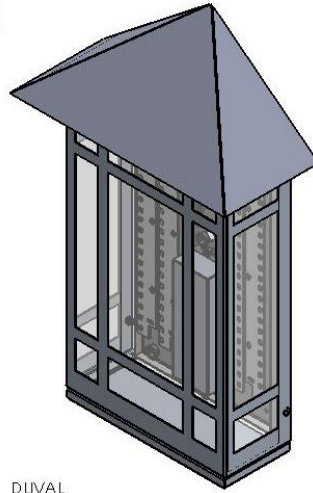
ADAMS



BRIDGESTONE



FAZIO



DUVAL