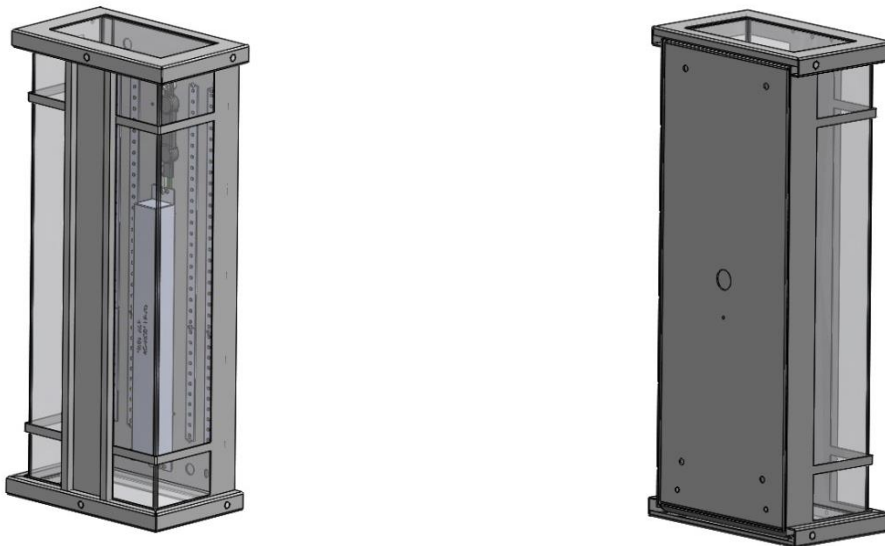




**INSTALLATION & MAINTENANCE INSTRUCTIONS FOR**  
**ALLEGRO W – LED**  
**OUTDOOR SERIES**  
Wall Mounted Luminaire P.N.:76109 REV.1

**NOTE: THIS PRODUCT MUST BE INSTALLED IN ACCORDANCE WITH THE APPLICABLE LOCAL & NATIONAL ELECTRICAL CODES BY A PERSON FAMILIAR WITH THE CONSTRUCTION AND FAMILIAR WITH THE OPERATION OF THE PRODUCT AND HAZARDS INVOLVED.**



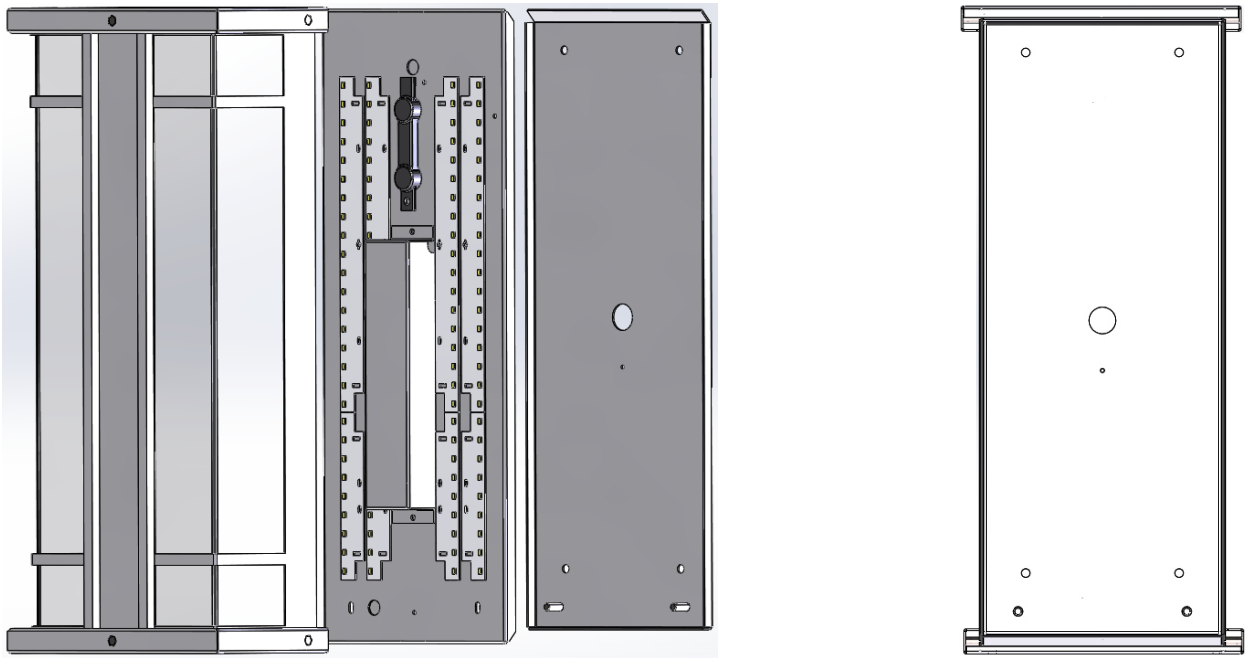
**INSTALLATION**

1. *Make sure the power to the area working in is shut off to avoid serious injury from shock.*
2. *Remove any excess packing from the fixture.*
3. *The Allegro W is designed to be mounted directly to the wall by using (4) 1/4" anchor bolts (not included), and the bolt pattern shown at the right.*
4. *Open the housing assembly by removing the (4) 8-32 x 5/16" pan head screws located on both sides of the fixture.*
5. *Remove the (2) 8-32 x 1/4" nuts holding the LED assembly plate to the mounting plate to access the mounting holes.*
6. *Line up the back of the mounting plate in desired location, completely covering the junction box and mount securely to the wall with 4 suitable fasteners supplied by the customer.*
7. *Complete the wiring to the power source and ground. The black as line; white as common; bare/green as ground. Wire connections to be made inside of housing.*
8. *Reassemble the LED assembly plate back on to the mounting plate with the (2) 8-32 x 1/4" nuts.*
9. *Reassemble the housing to the mount with the (4) 8-32 X 5/16" pan head screws.*
10. *Outdoor wall fixtures must be caulked with a suitable, waterproof sealant across the top and at least "half way" down each side of the fixture to properly seal it to the mounting surface. A small space should be open at the bottom for excess moisture runoff.*

**MAINTENANCE**

The fixture can be wiped clean as needed using a mild soap solution.

**ATTENTION:** Avoid moving any exposed wires. If any wires are accidentally disconnected, call a professional to repair.



**WIRING DIAGRAM**

