

BARTON CREEK LED 36"

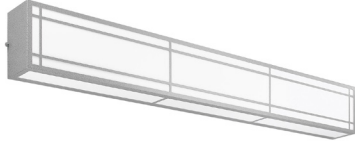
Architectural Indoor



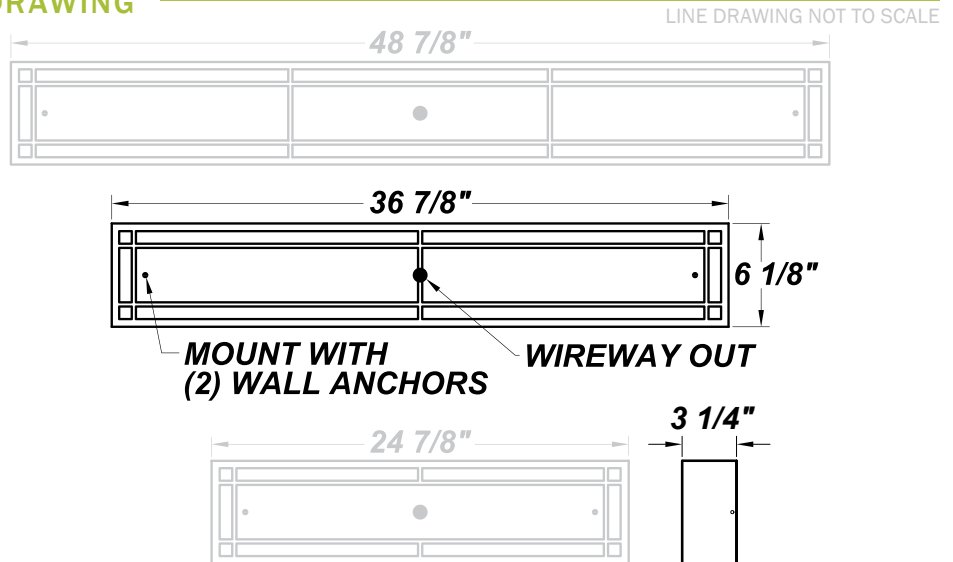
PROJECT:	
TYPE:	
PO#:	QTY:
COMMENTS:	

FEATURES

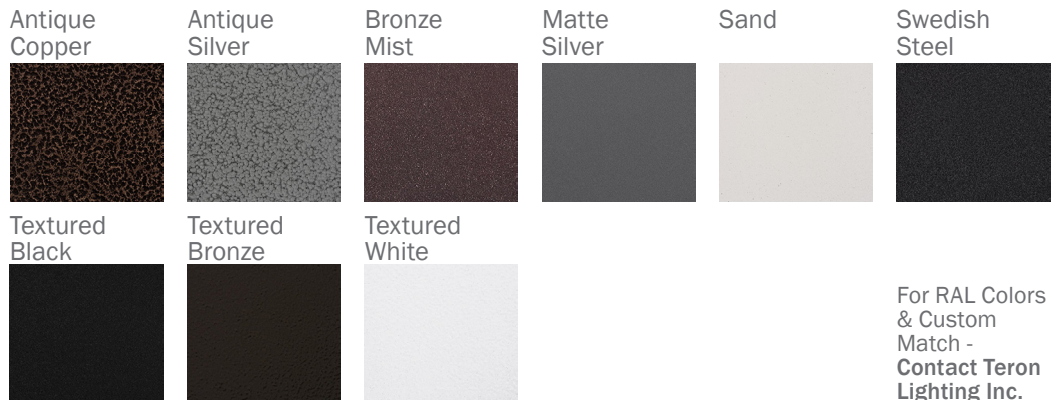
- ADA Compliant
- CSA Listed Damp Location For Wall or Ceiling Mounting
- Emergency Battery Available
- LED Light Fixture
- Luminous White Acrylic Panels
- Mounts Directly to Surface w/ Two Wall Anchors (Not Included)
- Steel Housing w/ Swedish Steel Powder Coat Finish
- Steel Mounting Pan w/ Hi-Reflectance White Powder Coat Finish
- Steel Reflector w/ Hi-Reflectance White Powder Coat Finish



LINE DRAWING



FINISHES



BARTON CREEK LED 36"

Architectural Indoor



Fixture Core

PROJECT:	
TYPE:	
PO#:	QTY:
COMMENTS:	

PRODUCT CODE	SOURCE/WATTAGE	VOLTAGE	DIMMING DRIVER
BT36 - Barton Creek 36"	L35.0-ZE1100 - 35W @ 1100mA 0-10V Dimming Driver L38.0-LT1200 - 38W @ 1200mA ELV Dimming Driver	120V 277V (120-230V Dimmable)	Not Applicable
ORDER INFO			
BT36 Example ^	L35.0-ZE1100	120V	Not Applicable

Aesthetics & Options

TRIM	FINISH	COLOR TEMP	OPTIONS
Not Applicable	AC - Antique Copper AS - Antique Silver BT - Bronze Mist SM - Matte Silver SN - Sand SW - Swedish Steel (Standard) TB - Textured Black BZ - Textured Bronze TW - Textured White	30K - 3000K Color Temp 35K - 3500K Color Temp 40K - 4000K Color Temp 50K - 5000K Color Temp	EB - 5.1W Intergral Emergency Battery F - Fused TP - Tamper Resistant Screws WAL - White Acrylic Lens WLL - High Lumen White Acrylic Lens (Standard)
ORDER INFO			
Not Applicable Example ^	AC	27K	EB

PROD	SOURCE	30K SPECS			
BT 36"	L35.0	<ul style="list-style-type: none"> 30K - 3000K Color Temp 5073 LED Source Lumens 145 LED Source Lumens Per Watt 			
	L38.0	<ul style="list-style-type: none"> 30K - 3000K Color Temp 5508 LED Source Lumens 145 LED Source Lumens Per Watt 			

REPLACEMENT PART	PART NO	NOTES
36" White Acrylic Front Lens Panel	3028260	
36" White Acrylic Side Lens Panel	3028160	
		Don't see the configuration you are looking for? Call us today at (513) 858-6004



TERONLIGHTING.COM
33 DONALD DR, FAIRFIELD, OH 45014
P: 513.858.6004 F: 513.858.6038
E: SALES@TERONLIGHT.COM



We reserve the right to revise the design components of any product due to parts availability or change in UL standards, without assuming any obligation or liability to modify any products previously manufactured, and without notice.