

VICEROY LG LED 36"

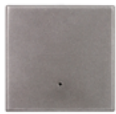
Architectural Indoor



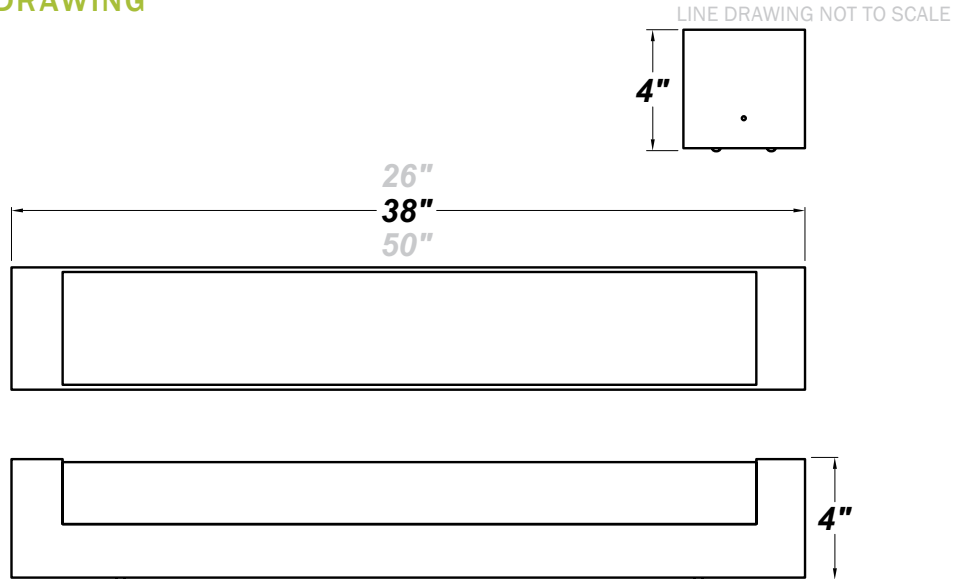
PROJECT:	
TYPE:	
PO#:	QTY:
COMMENTS:	

FEATURES

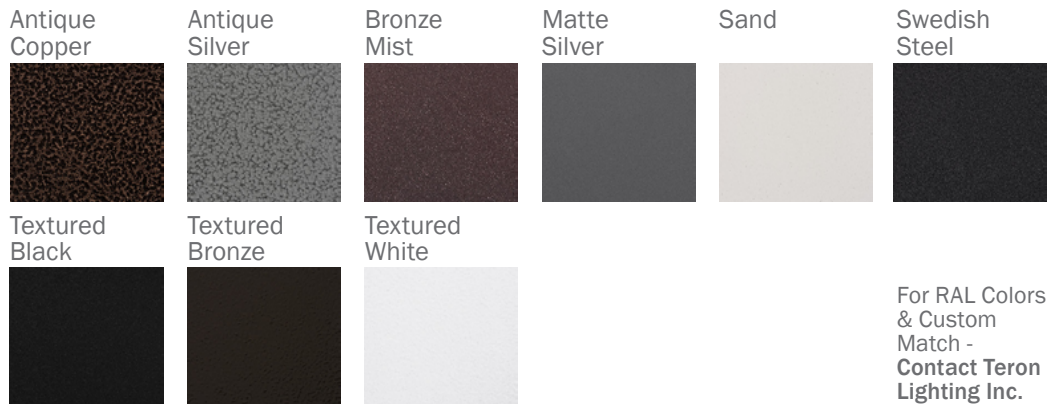
- ADA Compliant
- CSA Listed Damp Location For Wall or Ceiling Mount
- Clear Acrylic Outer Diffuser
- Knockouts on Back Accept Standard Electrical Fittings (By Others)
- LED Light Fixture
- L70 Life Time For 50,000hr
- Matte White Acrylic Inner Diffuser
- Mounts Directly to Surface with Two Wall Anchors (Not Included) Over a 2" Junction Box (Not Included)
- 0-10V and Trailing Edge (ELV) Dimming Compatible Options Available
- Over-Voltage, Over-Current, and Short-Circuit Protection with Auto Recovery
- Steel Housing with Matte Silver Powder Coat Finish



LINE DRAWING



FINISHES



VICEROY LG LED 36"

Architectural Indoor



Fixture Core

PROJECT:	
TYPE:	
PO#:	QTY:
COMMENTS:	

PRODUCT CODE	SOURCE/WATTAGE	VOLTAGE	DIMMING DRIVER
VCYL36 - Viceroy LG 36"	L27.2-ZE800 - 38.3W LED Strip(s) @ 800mA Line Voltage 4-Wire Dimming Driver (Dimmable 0 - 10V)	120-277V 347V	Not Applicable
ORDER INFO			
VCYL36 Example ^	L27.2-ZE800	120-277V	Not Applicable

Aesthetics & Options

TRIM	FINISH	COLOR TEMP	OPTIONS
Not Applicable	AC - Antique Copper AS - Antique Silver BT - Bronze Mist BZ - Textured Bronze SM - Matte Silver (Standard) SN - Sand SW - Swedish Steel TB - Textured Black TW - Textured White	30K - 3000K Color Temp 35K - 3500K Color Temp 40K - 4000K Color Temp 50K - 5000K Color Temp	EB - Integral Emergency Battery (120V - 277V Only) EBR - Remote Mount Battery (Field Installed) F - Fused (120V / 277V Only) JBC - Junction Box Cover TP - Tamper Resistant Screws
ORDER INFO			
Not Applicable Example ^	AC	30K	EB

PROD	SOURCE	30K SPECS			
VCYL36	L27.2	<ul style="list-style-type: none"> 30K - 3000K Color Temp 3976 LED Source Lumens 146.2 LED Source Lumens Per Watt 			

REPLACEMENT PART	PART NO	NOTES
3' Lens Assembly	38097	
		Don't see the configuration you are looking for? Call us today at (513) 858-6004



TERONLIGHTING.COM
 33 DONALD DR, FAIRFIELD, OH 45014
 P: 513.858.6004 F: 513.858.6038
 E: SALES@TERONLIGHT.COM



We reserve the right to revise the design components of any product due to parts availability or change in UL standards, without assuming any obligation or liability to modify any products previously manufactured, and without notice.