

THOUSAND OAKS CTC LED

Architectural Indoor



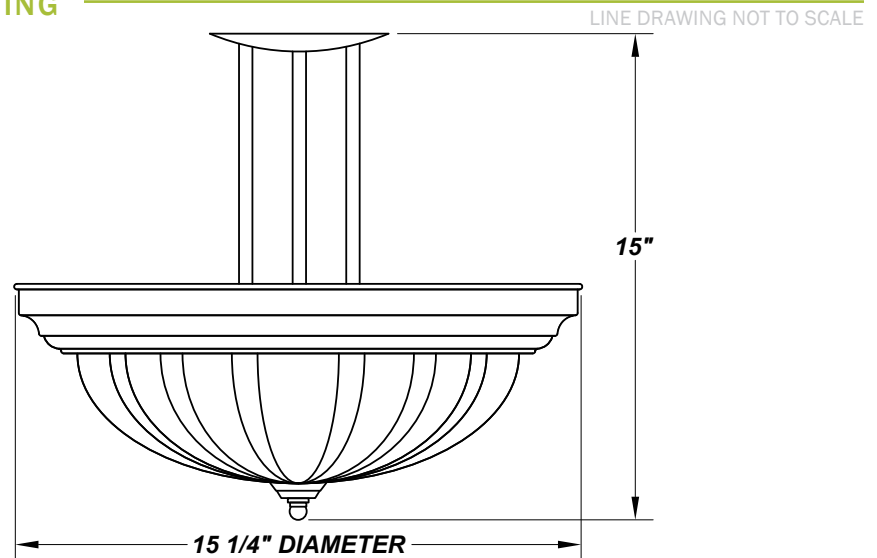
PROJECT:	
TYPE:	
PO#:	QTY:
COMMENTS:	



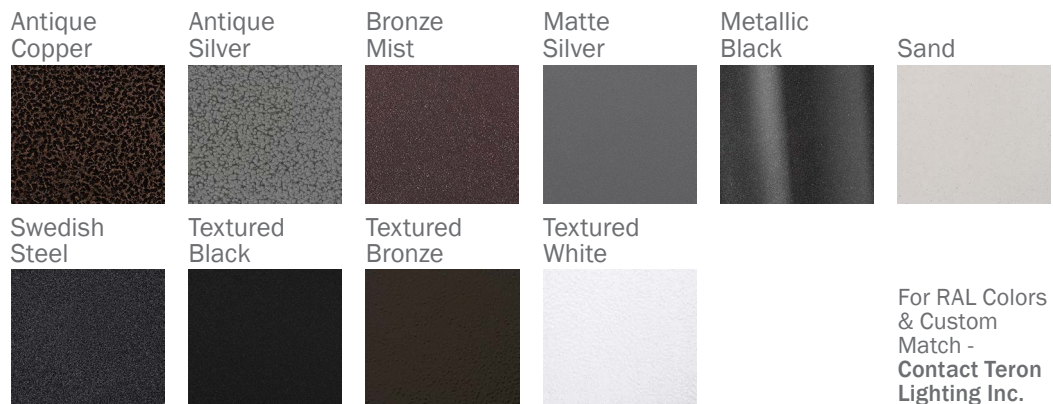
FEATURES

- Steel Housing & Finial with Brushed Nickel Plated Finish
- Frosted Ribbed White Glass Diffuser
- Mounts Directly to 4" Junction Box (By Others)
- 120V Drivers Are Dimmable
- 277V Drivers Are Not Dimmable
- CSA Listed Damp Location For Wall or Ceiling Mount
- LED Light Fixture
- Mounting Hardware Included

LINE DRAWING



FINISHES



THOUSAND OAKS CTC LED

Architectural Indoor



Fixture Core

PROJECT:	
TYPE:	
PO#:	QTY:
COMMENTS:	

PRODUCT CODE	SOURCE/WATTAGE	VOLTAGE	DIMMING DRIVER
TDSP - Thousand Oaks CTC	L13.0-ZE560 - (48) LED Array @ 560mA Line Voltage 4-Wire Dimming Driver (Dimmable 0 - 10V) L16.3-ZE560 - (60) LED Array @ 560mA Line Voltage 4-Wire Dimming Driver (Dimmable 0 - 10V) L21.0-ZE700 - (60) LED Array @ 700mA Line Voltage 4-Wire Dimming Driver (Dimmable 0 - 10V)	120 - 277V (120 - 277V Dimmable For 0-10V)	Not Applicable
ORDER INFO			
TDSP Example ^	L13.0-ZE560	120 - 277V	Not Applicable

Aesthetics & Options

TRIM	FINISH	COLOR TEMP	OPTIONS
Not Applicable	AC - Antique Copper AS - Antique Silver BN - Brushed Nickel (Standard) BT - Bronze Mist MB - Metallic Black SM - Matte Silver SN - Sand SW - Swedish Steel TB - Textured Black BZ - Textured Bronze TW - Textured White	27K - 2700K Color Temp 30K - 3000K Color Temp 35K - 3500K Color Temp 40K - 4000K Color Temp	F - Fused
ORDER INFO			
Not Applicable Example ^	AC	27K	F

PROD	SOURCE	30K SPECS				
TDSP	L13.0	<ul style="list-style-type: none"> 30K - 3000K Color Temp 1700 LED Source Lumens 113.0 LED Source Lumens Per Watt 				
	L16.3	<ul style="list-style-type: none"> 30K - 3000K Color Temp 2110 LED Source Lumens 129.4 LED Source Lumens Per Watt 				
	L21.0	<ul style="list-style-type: none"> 30K - 3000K Color Temp 2640 LED Source Lumens 125.7 LED Source Lumens Per Watt 				

REPLACEMENT PART	PART NO	NOTES
Frosted, Ribbed, White Glass Diffuser	3715060	
		Don't see the configuration you are looking for? Call us today at (513) 858-6004



TERONLIGHTING.COM
 33 DONALD DR, FAIRFIELD, OH 45014
 P: 513.858.6004 F: 513.858.6038
 E: SALES@TERONLIGHT.COM



We reserve the right to revise the design components of any product due to parts availability or change in UL standards, without assuming any obligation or liability to modify any products previously manufactured, and without notice.