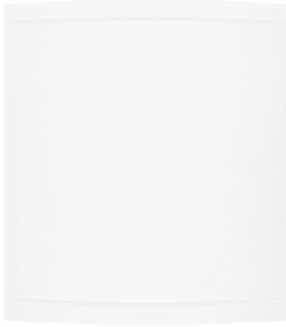


OPEN LED

Architectural Indoor



PROJECT:	
TYPE:	
PO#:	QTY:
COMMENTS:	

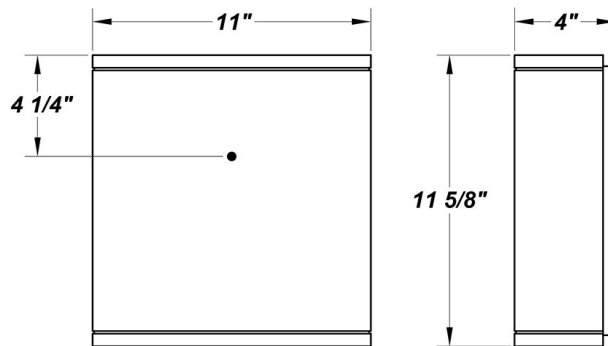


FEATURES

- 120V Drivers Are Dimmable With Either Triac or Electronic Dimmers
- 277V Drivers Are Not Dimmable
- ADA Compliant
- Aluminum Mounting Pan w/ Hi-Reflectance White Powder Coat Finish
- CSA Listed Dry Location For Wall Mounting
- LED Light Fixture
- Mounts Directly to Flat Surface w/ 2 Wall Anchors (Not Included)
- White Alabaster Resin Diffuser w/ Solid Acrylic Top and Bottom Ends

LINE DRAWING

LINE DRAWING NOT TO SCALE



FINISHES

For RAL Colors
& Custom
Match -
Contact Teron
Lighting Inc.

OPEN LED

Architectural Indoor



Fixture Core

PROJECT:	
TYPE:	
PO#:	QTY:
COMMENTS:	

PRODUCT CODE	SOURCE/WATTAGE	VOLTAGE	DIMMING DRIVER
ON - Open	L25.0 - (2) 12.5W (40) LED Modules	120 277V (50 / 60Hz)	Not Applicable
ORDER INFO			
ON Example ^	L25.0	120	Not Applicable

Aesthetics & Options

TRIM	FINISH	COLOR TEMP	OPTIONS
Not Applicable	Not Applicable	30K - 3000K Color Temp 35K - 3500K Color Temp 40K - 4000K Color Temp	F - Fused WH - White (Please Contact Factory For White Lens Availability)
ORDER INFO			
Not Applicable Example ^	Not Applicable	30K	F

PROD	SOURCE	30K SPECS			
ON	L25.0	<ul style="list-style-type: none"> 80 CRI Typ. 30K - 3000K Color Temp 1500 LED Source Lumens 60 LED Source Lumens Per Watt 			

REPLACEMENT PART	PART NO	NOTES
White Alabaster Resin Diffuser	3003550	
White Resin Diffuser (Please Contact Factory For White Lens Availability)	3003560	
		Don't see the configuration you are looking for? Call us today at (513) 858-6004



TERONLIGHTING.COM
33 DONALD DR, FAIRFIELD, OH 45014
P: 513.858.6004 F: 513.858.6038
E: SALES@TERONLIGHT.COM



We reserve the right to revise the design components of any product due to parts availability or change in UL standards, without assuming any obligation or liability to modify any products previously manufactured, and without notice.