

NIKE P LED 17"

Architectural Indoor



PROJECT:	
TYPE:	
PO#:	QTY:
COMMENTS:	

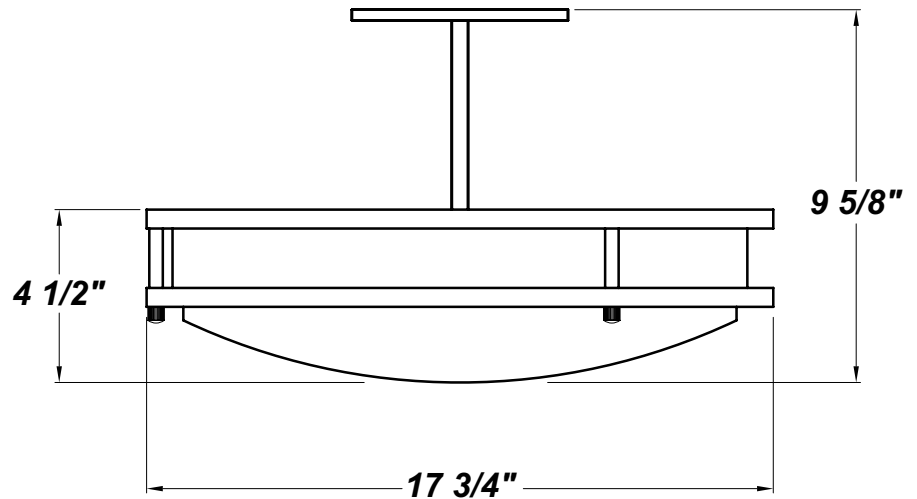
FEATURES

- Die-Form Cold-Rolled Steel Housing w/ Brushed Nickel Plated Finish
- Dry Location
- LED Light Fixture
- Luminous White Acrylic Diffuser
- Mounting Hardware Included
- Mounts Directly to 4" Junction Box (By Others)
- Steel Canopy and Stems w/ Brushed Nickel Plated Finish
- Steel Mounting Pan w/ Hi-Reflectance White Powder Coat Finish
- Steel Trim w/ Brushed Nickel Plated Finish



LINE DRAWING

LINE DRAWING NOT TO SCALE



FINISHES

Antique Copper	Antique Silver	Bronze Mist	Matte Silver	Sand	Swedish Steel
Textured Black	Textured Bronze	Textured White			

For RAL Colors & Custom Match - Contact Teron Lighting Inc.

NIKE P LED 17"

Architectural Indoor



Fixture Core

PROJECT:	
TYPE:	
PO#:	QTY:
COMMENTS:	

PRODUCT CODE	SOURCE/WATTAGE	VOLTAGE	DIMMING DRIVER
NEP18 - Nike P 17 3/4"	L21.0-ZE700 - (60) LED Array @ 700mA Line Voltage 4-Wire Dimming Driver (Dimmable 0 - 10V) L30.0-ZE1000 - (60) LED Array @ 1000mA Line Voltage 4-Wire Dimming Driver (Dimmable 0 - 10V)	120V 277V (50 / 60Hz)	Not Applicable
ORDER INFO			
NEP18 Example ^	L21.0-ZE700	120V	Not Applicable

Aesthetics & Options

TRIM	FINISH	COLOR TEMP	OPTIONS
Not Applicable	AC - Antique Copper TB - Textured Black AS - Antique Silver BT - Bronze Mist BZ - Textured Bronze BN - Brushed Nickel (Standard) TW - Textured White SM - Matte Silver SN - Sand SW - Swedish Steel	30K - 3000K Color Temp 35K - 3500K Color Temp 40K - 4000K Color Temp	F - Fused
ORDER INFO			
Not Applicable Example ^	AC	27K	F

PROD	SOURCE	30K SPECS				
NEP18	L21.0	<ul style="list-style-type: none"> 30K - 3000K Color Temp 2640 LED Source Lumens 105 LED Source Lumens Per Watt 1861 Delivered LED Lumens 77.4 Delivered LED Lumens Per Watt 				
	L30.0	<ul style="list-style-type: none"> 30K - 3000K Color Temp 4522 LED Source Lumens 134 LED Source Lumens Per Watt 2134 Delivered LED Lumens 62.7 Delivered LED Lumens Per Watt 				

REPLACEMENT PART	PART NO	NOTES
18" White Acrylic Diffuser	3049760	

Don't see the configuration you are looking for?
Call us today at (513) 858-6004



TERONLIGHTING.COM
 33 DONALD DR, FAIRFIELD, OH 45014
 P: 513.858.6004 F: 513.858.6038
 E: SALES@TERONLIGHT.COM



We reserve the right to revise the design components of any product due to parts availability or change in UL standards, without assuming any obligation or liability to modify any products previously manufactured, and without notice.

NIKE P LED 17"

Architectural Indoor



Fixture Core

PROJECT:	
TYPE:	
PO#:	QTY:
COMMENTS:	

PRODUCT CODE	SOURCE/WATTAGE	VOLTAGE	DIMMING DRIVER
NEP18 - Nike P 17 3/4"	L37.5-ZE1050 - (120) LED Array @ 1050mA Line Voltage 4-Wire Dimming Driver (Dimmable 0 - 10V)	120V 277V (50 / 60Hz)	Not Applicable
ORDER INFO			
NEP18 Example ^	L37.5-ZE1050	120V	Not Applicable

Aesthetics & Options

TRIM	FINISH	COLOR TEMP	OPTIONS
Not Applicable	AC - Antique Copper AS - Antique Silver BT - Bronze Mist BN - Brushed Nickel (Standard) SM - Matte Silver SN - Sand SW - Swedish Steel TB - Textured Black BZ - Textured Bronze TW - Textured White	30K - 3000K Color Temp 35K - 3500K Color Temp 40K - 4000K Color Temp	F - Fused
ORDER INFO			
Not Applicable Example ^	AC	27K	F

PROD	SOURCE	30K SPECS				
NEP18	L37.5	<ul style="list-style-type: none"> • 30K - 3000K Color Temp • 4845 LED Source Lumens • 135.4 LED Source Lumens Per Watt • 2596 Delivered LED Lumens • 70.2 Delivered LED Lumens Per Watt 				

REPLACEMENT PART	PART NO	NOTES
18" White Acrylic Diffuser	3049760	
		Don't see the configuration you are looking for? Call us today at (513) 858-6004



TERONLIGHTING.COM
 33 DONALD DR, FAIRFIELD, OH 45014
 P: 513.858.6004 F: 513.858.6038
 E: SALES@TERONLIGHT.COM



We reserve the right to revise the design components of any product due to parts availability or change in UL standards, without assuming any obligation or liability to modify any products previously manufactured, and without notice.