

MAXFLI LED

Architectural Outdoor



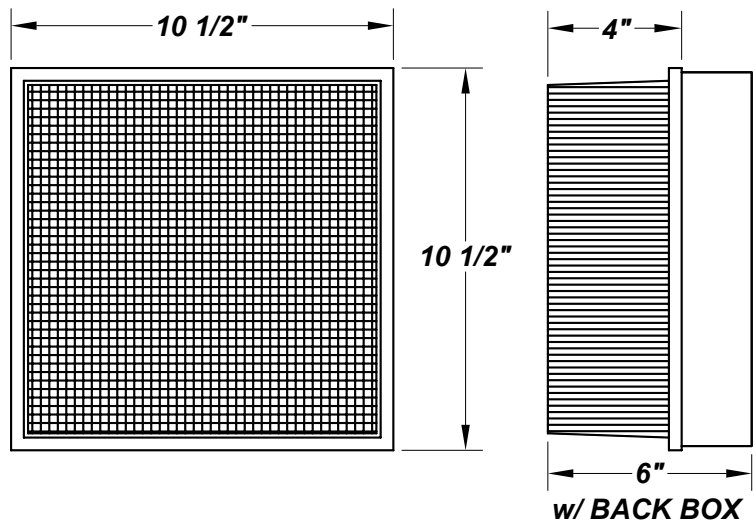
PROJECT:	
TYPE:	
PO#:	QTY:
COMMENTS:	

FEATURES

- Aluminum Mounting Pan w/ Hi-Reflectance White Powder Coat Finish
- Clear Ribbed Polycarbonate Diffuser
- Mounts Directly to 4" Junction Box (By Others)
- 120V Drivers Are Dimmable
- 277V Drivers Are Not Dimmable
- ADA Compliant
- CSA Listed Wet Location For Wall or Ceiling Mount
- LED Light Fixture
- Mounting Hardware Included
- Vandal Resistant

LINE DRAWING

LINE DRAWING NOT TO SCALE



FINISHES

For RAL Colors
& Custom
Match -
Contact Teron
Lighting Inc.

MAXFLI LED

Architectural Outdoor



Fixture Core

PROJECT:	
TYPE:	
PO#:	QTY:
COMMENTS:	

PRODUCT CODE	SOURCE/WATTAGE	VOLTAGE	DIMMING DRIVER
MI - Maxfli	L13.0-ZE560 - (48) LED Array @ Line Voltage 4-Wire Dimming Driver (Dimmable 0 - 10V)	120V 270V (50 / 60Hz)	Not Applicable
ORDER INFO			
MI	L13.0-ZE560	120V	Not Applicable

Example ^ (may not represent a manufacturable product)

Aesthetics & Options

TRIM	FINISH	COLOR TEMP	OPTIONS
Not Applicable	WH - White	30K - 3000K Color Temp 35K - 3500K Color Temp 40K - 4000K Color Temp	F - Fused PCL120 - Photocell 120V PCL277 - Photocell 277V
ORDER INFO			
Not Applicable	WH	30K	F

Example ^ (may not represent a manufacturable product)

PROD	SOURCE	30K SPECS				
MI	L13.0	<ul style="list-style-type: none"> 80 CRI Typ. 30K - 3000K Color Temp 1700 LED Source Lumens 130.85 LED Source Lumens Per Watt 				

REPLACEMENT PART	PART NO	NOTES
Clear Polycarbonate Diffuser	34191	
White Polycarbonate Diffuser	3419160	

Don't see the configuration you are looking for?
Call us today at (513) 858-6004



TERONLIGHTING.COM
33 DONALD DR, FAIRFIELD, OH 45014
P: 513.858.6004 F: 513.858.6038
E: SALES@TERONLIGHT.COM



We reserve the right to revise the design components of any product due to parts availability or change in UL standards, without assuming any obligation or liability to modify any products previously manufactured, and without notice.