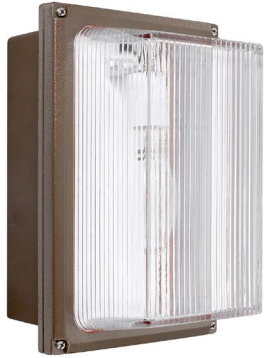


# DRIVER LED

Architectural Outdoor



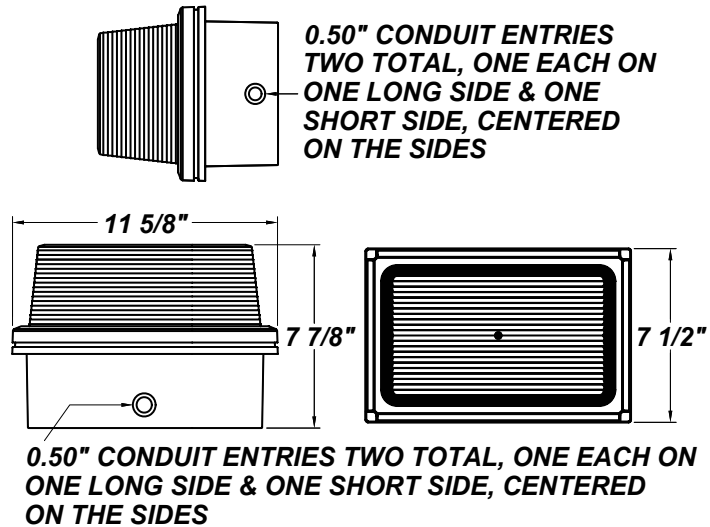
PROJECT:	
TYPE:	
PO#:	QTY:
COMMENTS:	

## FEATURES

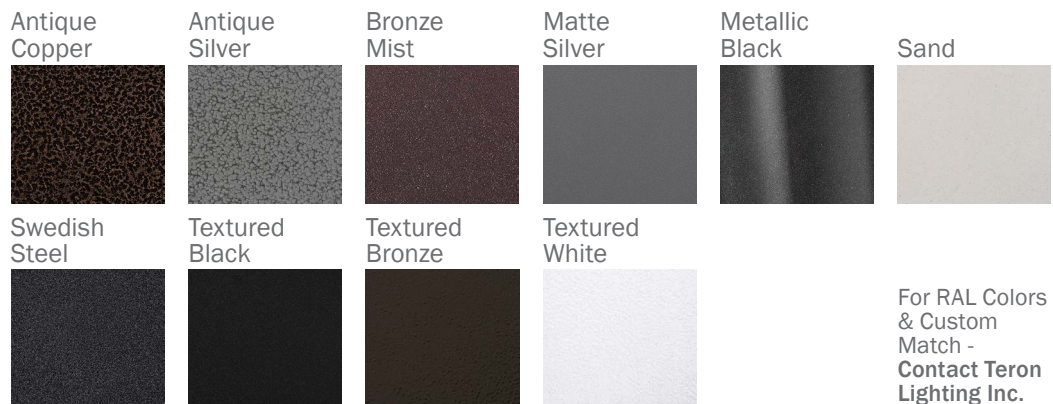
- Cast Aluminum Housing w/ Textured Black Polyester Powder Coat Finish
- Clear Prismatic Ribbed Molded Polycarbonate Lens
- Fully Gasketed
- Mounts Direct to Flat Surface w/ Four #8 Wall Anchors (Not Included)
- Thermal Compensation Technology Ensures Longer LED Lifetime - Ideal For Fixtures Being Placed in Area w/ Fluctuating or Higher Ambient Temperatures
- Surge Protector
- CSA Listed Wet Location For Surface Mount
- Emergency Battery Available (Wall Mount Only) (Voltage Must be Specified When Ordering)
- LED Light Fixture

## LINE DRAWING

LINE DRAWING NOT TO SCALE



## FINISHES



# DRIVER LED

Architectural Outdoor



Fixture Core

PROJECT:	
TYPE:	
PO#:	QTY:
COMMENTS:	

PRODUCT CODE	SOURCE/WATTAGE	VOLTAGE	DIMMING DRIVER
DR - Driver	L12.3 - (4) 3.066W LED Modules L24.5 - (8) 3.066W LED Modules	120V 277V	Not Applicable
ORDER INFO			
DR	L12.3	100V	Not Applicable

Example ^ (may not represent a manufacturable product)

Aesthetics & Options

TRIM	FINISH	COLOR TEMP	OPTIONS
Not Applicable	AC - Antique Copper AS - Antique Silver BT - Bronze Mist MB - Metallic Black SM - Matte Silver SN - Sand SW - Swedish Steel TB - Textured Black (Standard) BZ - Textured Bronze TW - Textured White	27K - 2700K Color Temp 30K - 3000K Color Temp 35K - 3500K Color Temp 40K - 4000K Color Temp 50K - 5000K Color Temp	DL - Down Light (L24.5 Only) EB - 5.1W Integral EM Battery F - Fused PCL - Photocell UDL - Up / Down Light (L24.5 Only)
ORDER INFO			
Not Applicable	AC	27K	DL

Example ^ (may not represent a manufacturable product)

PROD	SOURCE	30K SPECS			
DR	L12.3	<ul style="list-style-type: none"> <li>30K - 3000K Color Temp</li> <li>1264 Source Lumens</li> <li>102.8 Source Lumens Per Watt</li> </ul>			
	L24.5	<ul style="list-style-type: none"> <li>30K - 3000K Color Temp</li> <li>2528 Source Lumens</li> <li>103.2 Source Lumens Per Watt</li> </ul>			

REPLACEMENT PART	PART NO	NOTES
Clear Polycarbonate Diffuser	34065	

Don't see the configuration you are looking for?  
Call us today at (513) 858-6004



TERONLIGHTING.COM  
33 DONALD DR, FAIRFIELD, OH 45014  
P: 513.858.6004 F: 513.858.6038  
E: SALES@TERONLIGHT.COM



We reserve the right to revise the design components of any product due to parts availability or change in UL standards, without assuming any obligation or liability to modify any products previously manufactured, and without notice.