

ALLERO LED 49"

Architectural Indoor



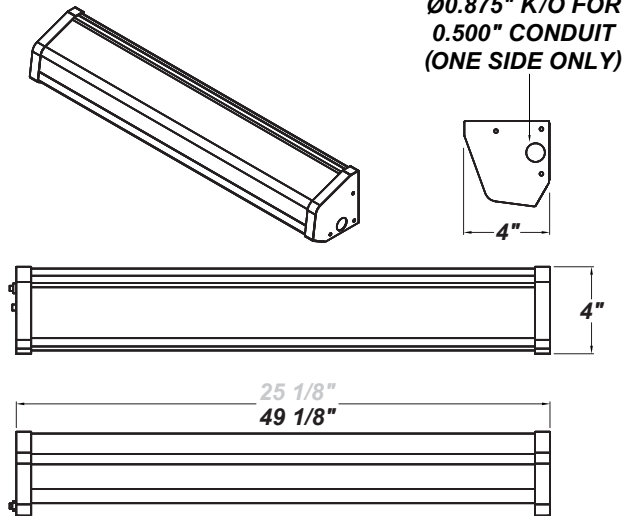
PROJECT:	
TYPE:	
PO#:	QTY:
COMMENTS:	

FEATURES

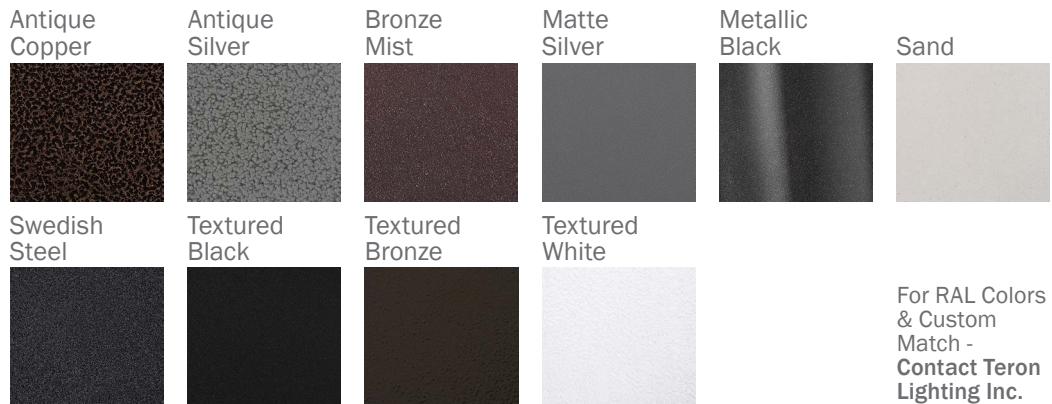
- Steel Housing and End Caps w/ Matte Silver Powder Coat Finish
- Solid Top, Which Reduces Uplight
- 50% Impact Resistant Frosted DR Acrylic Diffuser Formulated For Use With LEDs
- Steel Reflector Plate w/ Hi-Reflectance White Powder Coat Finish
- Mounts Directly to Wall or Ceiling w/ Four Wall Anchors (Not Included)
- 0-10V and Trailing Edge (ELV) Dimming Compatible Options Available
- Constant Current, Dimmable 0-10V
- IES Files Available (Tested w/ Standard White Acrylic Lens Assembly)
- ADA Compliant
- CSA Listed Damp Location For Wall or Ceiling Mount
- Emergency Battery Available
- LED Light Fixture
- Vandal Resistant

LINE DRAWING

LINE DRAWING NOT TO SCALE



FINISHES



ALLERO LED 49"

Architectural Indoor



Fixture Core

PROJECT:	
TYPE:	
PO#:	QTY:
COMMENTS:	

PRODUCT CODE	SOURCE/WATTAGE	VOLTAGE	DIMMING DRIVER
ALO48 - Allero 49"	L34.7-TE950 - 40W @ 950mA Constant Current ELV Dimming Electronic Driver L38.3-ZE1050 - 42W @ 1050mA Constant Current Dimming Electronic Driver (Dimmable 0-10V)	120V 277V	Not Applicable
ORDER INFO			
ALO48 Example ^	L34.7-TE950	120V	Not Applicable

Aesthetics & Options

TRIM	FINISH	COLOR TEMP	OPTIONS
Not Applicable	AC - Antique Copper TB - Textured Black AS - Antique Silver BT - Bronze Mist BZ - Textured Bronze MB - Metallic Black TW - Textured White SM - Matte Silver (Standard) SN - Sand SW - Swedish Steel	27K - 2700K Color Temp 30K - 3000K Color Temp 35K - 3500K Color Temp 40K - 4000K Color Temp	EB - 12W Integral EM Battery F - Fused FAL - Frosted Acrylic Lens TP - Tamper Resistant Screws WAL - Frosted & White Acrylic Lens Assembly (Standard)
ORDER INFO			
Not Applicable Example ^	AC	27K	EB

PROD	SOURCE	30K SPECS			
ALO 49"	L38.3	<ul style="list-style-type: none"> • 30K - 3000K Color Temp • 5395 LED Source Lumens • 155.5 LED Source Lumens Per Watt • 5693 LED Source Lumens • 3505 Delivered LED Lumens • 91.5 Delivered LED Lumens Per Watt 			

REPLACEMENT PART	PART NO	NOTES
Frosted 4' Acrylic Diffuser	3001562	
White 4' Acrylic Lens Assembly	38113	
		Don't see the configuration you are looking for? Call us today at (513) 858-6004



TERONLIGHTING.COM
 33 DONALD DR, FAIRFIELD, OH 45014
 P: 513.858.6004 F: 513.858.6038
 E: SALES@TERONLIGHT.COM



We reserve the right to revise the design components of any product due to parts availability or change in UL standards, without assuming any obligation or liability to modify any products previously manufactured, and without notice.