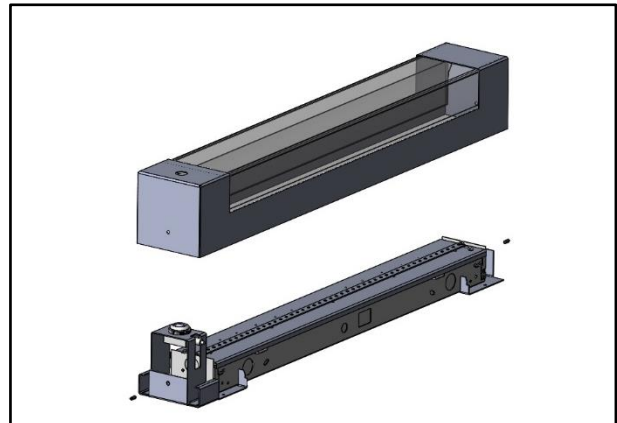
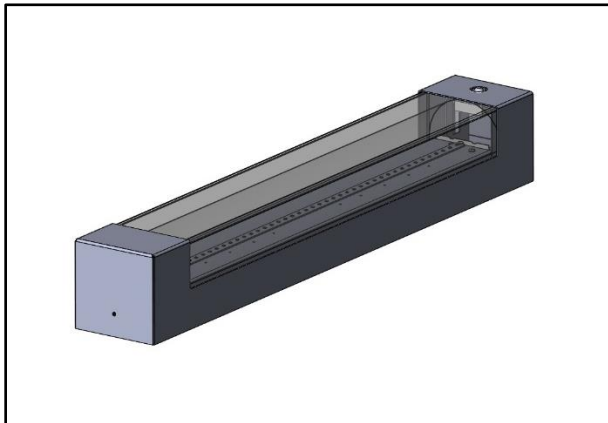




**INSTALLATION & MAINTENANCE INSTRUCTIONS
FOR THE
VICEROY LG - 2' LED
CEILING OR WALL MOUNTED LUMINAIRE**
P.N.: 76171 REV.1

NOTE: THIS PRODUCT MUST BE INSTALLED IN ACCORDANCE WITH THE APPLICABLE LOCAL & NATIONAL ELECTRICAL CODES BY A PERSON FAMILIAR WITH THE CONSTRUCTION AND FAMILIAR WITH THE OPERATION OF THE PRODUCT AND HAZARDS INVOLVED.



INSTALLATION

1. *Make sure the power to the area working in is shut off to avoid serious injury from electrical shock.*
2. *Remove any excess packing from the fixture.*
3. *This fixture is designed to be mounted directly to wall anchors. Open the housing assembly by removing the (2) 8-32 x 5/16" socket INSTR SHEET-VICEROY LG LED-2FT head set screws located on both ends of the fixture.*
4. *Line up the back of the housing in desired location, completely covering junction box and mount securely to the wall surface with a minimum 2 suitable fasteners supplied by the customer.*
5. *Complete the wiring to the power source and ground. The black as line; white as common; bare/green as ground. Wire connections to be made within the mount pan..*
7. *Reassemble the LED assembly back on to the wall mount with the (2) 8-32 x 1/4" screws.*
8. *Reassemble the housing to the mount with the (2) 8-32 X 5/16" allen head set screws.*

MAINTENANCE

DO NOT use cleansers containing bleach.

The metal portion of the fixture can be wiped clean as needed using a mild soap solution.

ATTENTION:

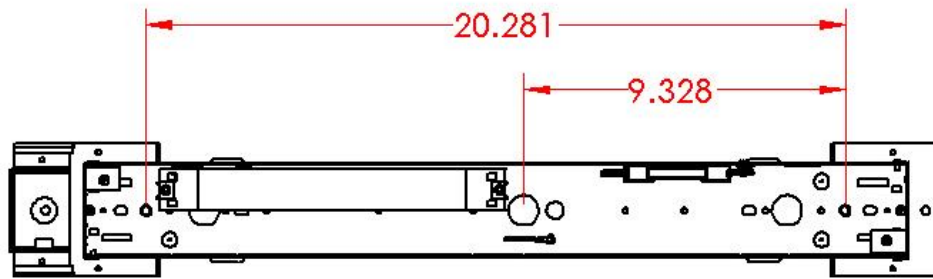
Installation of an electrical luminaire must be performed by a qualified professional. The fixture must be wired in accordance to all local & national electrical codes by a person familiar with the construction and operation of the product and the hazards involved.

Avoid moving any exposed wires. If any wires are accidentally disconnected, call a professional to repair.

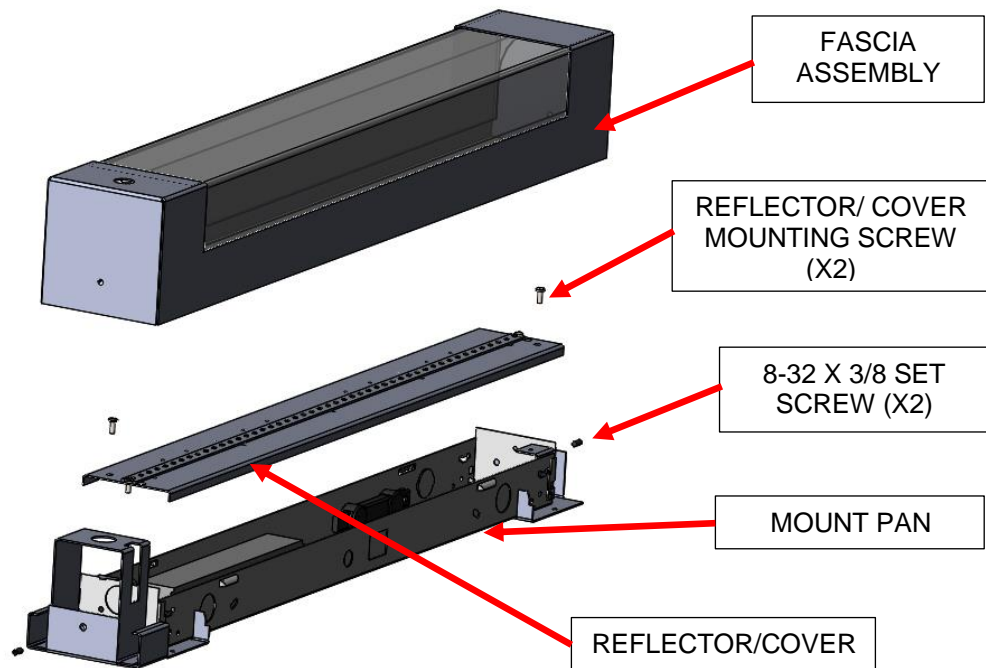
NOTE:

These instructions are general to the fixture noted. Due to the numerous options, all variations may not be covered.

Optional emergency batteries are tested prior to leaving our facility. Any incomplete circuitry is intentionally disconnected both as a safety precaution and for the installer to configure correctly per application. Any wiring for field installation must be completed in accordance to the supplied ballast installation instruction sheet.



MOUNTING HOLE LOCATIONS



WIRING DIAGRAM

