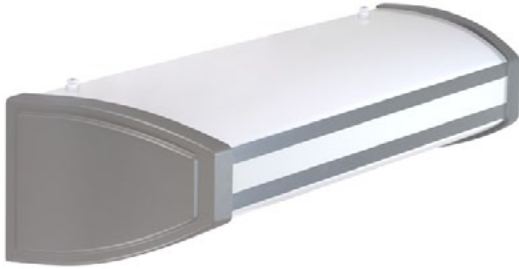


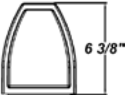
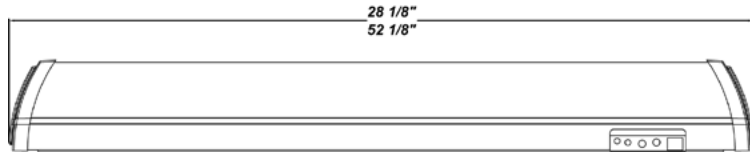
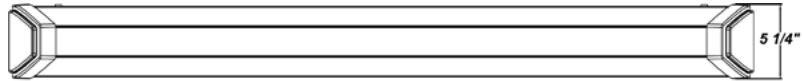
PROJECT :
TYPE :
ORDERING # :
COMMENTS :

**DUNBAR LED**



**FEATURES**

- Steel Housing w/ White Powder Coat Finish
- Steel Mounting Pan w/ Hi-Reflectance White Powder Coat Finish
- White Acrylic / DR Extruded Diffuser w/ Brushed Nickel Finished End Caps And Brushed Nickel / White Decorative Center Trim
- Up / Down Lighting Option Available
- Mounts Directly to Surface w/ Two Wall Anchors (Not Included)
- 0-10V and Leading Edge (ELV) Dimming Compatible Options Available
- CSA Listed Dry Location For Wall Mount Only
- L70 Life Time For 50,000hr



**ORDERING INFORMATION**

**Example : (DNB48 - L69.4 - ZE1900 - 120-277V - WSW - F) Brushed Nickel End Caps w/ Brushed Nickel / White Center Trim is Standard**

PRODUCT	SOURCE/WATTAGE	VOLTAGE	DIMMING CONFIG	FINISH	OPTIONS
<b>DNB24</b> (2' Fixture)	<b>DNB24-L38.3-ZE1050</b> 38.3W @ 1050mA Constant Current Dimming Electronic Driver <b>(Dimmable 0-10V)</b>	<b>120 - 277V</b>  <b>347V</b>  (50 / 60Hz)	<b>SD10</b> - Bi-level Step Dimming (10 - 100%)  <b>SD25</b> - Bi-level Step Dimming (25 - 100%) <b>(120V / 277V Only)</b>  <b>SD50</b> - Bi-level Step Dimming (50 - 100%) <b>(120V / 277V Only)</b>	<b>BNW</b> - Brushed Nickel End Caps w/ Nickel And White Center Trim (Standard)  <b>WSW</b> - White End Caps w/ Solid White Center Trim  <b>Custom Finish Options - Consult Factory</b>	<b>50K</b> - 5000K Color Temp. <b>30K</b> - 3000K Color Temp. <b>40K</b> - 4000K Color Temp. <b>27K</b> - 2700K Color Temp. <b>35K</b> - 3500K Color Temp. <b>CO</b> - Convenience Outlet <b>(120V Only)</b> <b>MSW</b> - Multi-Lamp Switch w/ Pull Chain for Multi-Directional Light <b>(120V Only)</b> <b>2SW</b> - Power Switch w/ Pull Chain (For On / Off Lighting) <b>(120V Only)</b> <b>DIV</b> - Internal Divider For Multi-Directional Up / Down Light <b>MSI</b> - Steinel HFLUM2-WR Internal Motion Sensor <b>(120V / 277V Only)</b> <b>NLT</b> - 9.4W LED Night Light (Available Only with DIV option) <b>(120V -277V Only)</b> <b>EB</b> - KT-EMRG-LED12-1200 Emergency Driver <b>(120V - 277V Only)</b> <b>TP</b> - Tamper Resistant Screws <b>F</b> - Fused <b>(120V / 277V Only)</b>
<b>DNB48</b> (4' Fixture)	<b>DNB48-L69.4-ZE1900</b> 69.4W @ 1900mA Constant Current Dimming Electronic Driver <b>(Dimmable 0-10V)</b>  <b>DNB48-L69.4-LE1900</b> 69.4W @ 1900mA Constant Current Leading Edge Dimming Electronic Driver <b>(120V Only)</b>		<b>MS2D</b> - Bottom Light Connected at 100% Constant Output, and Top Light Connected to Motion Sensor (Requires 2 Drivers)		

ARRA 2009



BUY AMERICA ACT C US



**NOTES**

We reserve the right to revise the design or components of any product due to parts availability or change in UL standards, without assuming any obligation or liability to modify any products previously manufactured, and without notice.



PROJECT :
TYPE :
ORDERING # :
COMMENTS :

PRODUCT	SOURCE/WATTAGE	27K SPECIFICATIONS	30K SPECIFICATIONS	35K SPECIFICATIONS
DUNBAR 2' (DNB24)	L38.3 - 38.3W Output 45W Input Constant Current Driver set to 1050mA	<b>L38.3</b>	<b>L38.3</b>	<b>L38.3</b>
		- 27K - 2700K Color Temp Nominal. - 2605 <b>Estimated</b> Delivered Lumens - 58 <b>Estimated</b> Delivered Lumens Per Watt	- 30K - 3000K Color Temp Nominal. - 2712 Delivered Lumens - 60 Delivered Lumens Per Watt	- 35K - 3500K Color Temp Nominal. - 2792 <b>Estimated</b> Delivered Lumens - 63 <b>Estimated</b> Delivered Lumens Per Watt
		40K SPECIFICATIONS		50K SPECIFICATIONS
		<b>L38.3</b>	<b>L38.3</b>	
		- 40K - 4000K Color Temp Nominal. - 2836 <b>Estimated</b> Delivered Lumens - 63 <b>Estimated</b> Delivered Lumens Per Watt	- 50K - 5000K Color Temp Nominal. - 3097 <b>Estimated</b> Delivered Lumens - 69 <b>Estimated</b> Delivered Lumens Per Watt	

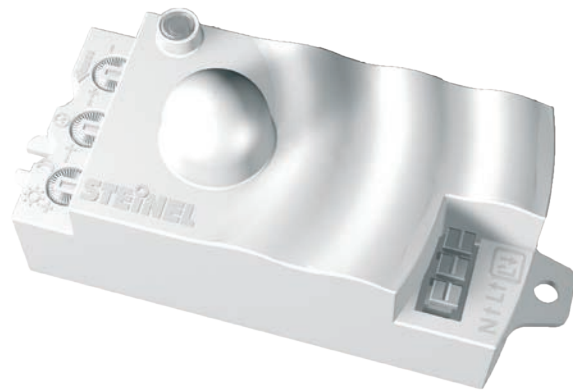
PRODUCT	SOURCE/WATTAGE	27K SPECIFICATIONS	30K SPECIFICATIONS	35K SPECIFICATIONS
DUNBAR 2' (DNB24)	L34.7 - 34.7W Output 41W Input Constant Current Driver set to 950mA	<b>L34.7</b>	<b>L34.7</b>	<b>L34.7</b>
		- 27K - 2700K Color Temp Nominal. - 2357 <b>Estimated</b> Delivered Lumens - 58 <b>Estimated</b> Delivered Lumens Per Watt	- 30K - 3000K Color Temp Nominal. - 2453 <b>Estimated</b> Delivered Lumens - 61 <b>Estimated</b> Delivered Lumens Per Watt	- 35K - 3500K Color Temp Nominal. - 2567 <b>Estimated</b> Delivered Lumens - 62 <b>Estimated</b> Delivered Lumens Per Watt
		40K SPECIFICATIONS		50K SPECIFICATIONS
		<b>L34.7</b>	<b>L34.7</b>	
		- 40K - 4000K Color Temp Nominal. - 2567 <b>Estimated</b> Delivered Lumens - 63 <b>Estimated</b> Delivered Lumens Per Watt	- 50K - 5000K Color Temp Nominal. - 2801 <b>Estimated</b> Delivered Lumens - 69 <b>Estimated</b> Delivered Lumens Per Watt	

PRODUCT	SOURCE/WATTAGE	27K SPECIFICATIONS	30K SPECIFICATIONS	35K SPECIFICATIONS
DUNBAR 4' (DNB48)	L69.4 - 69.4W Output 89W Input Constant Current Driver set to 1900mA	<b>L69.4</b>	<b>L69.4</b>	<b>L69.4</b>
		- 27K - 2700K Color Temp Nominal. - 5180 <b>Estimated</b> Delivered Lumens - 58 <b>Estimated</b> Delivered Lumens Per Watt	- 30K - 3000K Color Temp Nominal. - 5393 Delivered Lumens - 61 Delivered Lumens Per Watt	- 35K - 3500K Color Temp Nominal. - 5553 <b>Estimated</b> Delivered Lumens - 62 <b>Estimated</b> Delivered Lumens Per Watt
		40K SPECIFICATIONS		50K SPECIFICATIONS
		<b>L69.4</b>	<b>L69.4</b>	
		- 40K - 4000K Color Temp Nominal. - 5641 <b>Estimated</b> Delivered Lumens - 63 <b>Estimated</b> Delivered Lumens Per Watt	- 50K - 5000K Color Temp Nominal. - 6158 <b>Estimated</b> Delivered Lumens - 69 <b>Estimated</b> Delivered Lumens Per Watt	



# HFLUM2-WR

Fixture Integrated Sensor Module



Project Name:

Location:



## HF LUM2-WR Specifications

Item No.	65122
Voltage	120/230/277 VAC, 50/60 Hz
Load Rating	0-800 watts @ 120 VAC, 50/60 Hz incandescent, magnetic or electronic ballasts - 1/4 HP 0-1200 watts @ 230/277 VAC, 50/60 Hz magnetic or electronic ballasts 0-650 watts @ 120/230/277 VAC, 50/60 Hz LED
Transmitter Power	1 mW
Power Consumption	< 0.5 W
Time Delay Setting	30 seconds to 30 minutes
Light Level Setting	0.2-200 footcandles 2-2000 lux
HF System	5.8 GHz
Coverage	360° adjustable 3.3 to 26 ft reach (1 to 8 m)
Environment	requires enclosure temperature -4° F - 185° F, -20° C - 85° C
Dimensions (LxWxD)	4.2 x 1.7 x 1.8 in 107 x 42 x 44.5 mm
Warranty	5 years
Certifications	C-UL-US Listed, RoHS Compliant, Contains: FCC ID - W8J-SIR13, IC - 8529A-SIR13

The HFLUM2-WR is a line voltage occupancy sensor module that installs in a fixture, adding energy saving lighting control in each fixture location.

The HFLUM2-WR uses STEINEL's High Frequency (HF) technology to turn lights on and off based on occupancy. It works by emitting high frequency electromagnetic waves (5.8 GHz) into the controlled area. Movement in the area causes a change in the waves' echo, resulting in occupancy detection. The sensor can detect motion through many materials including glass and the lens of a fixture, enabling the sensor to be hidden from view.

### Applications

Mounted in either a ceiling or wall lighting fixture, the sensor module is suited to a wide variety of interior spaces including offices, conference rooms and damp or wet locations when mounted inside sealed and gasketed fluorescent IP65 type fixtures.

### Key Features:

- 360° coverage; reach is adjustable from 3.3 to 26 ft
- High frequency technology emits 5.8 GHz electromagnetic waves
- Built-in surge protection with auto-reset
- Lamp seasoning feature provides a simple and convenient 4 day burn in as recommended by lamp manufacturers
- Adjustable time delay and light level settings
- Light level feature allows lighting to remain off during daylight, regardless of occupancy (hold off)
- Wiring is streamlined with three terminals

120/230/  
277V

Line Voltage

HF  
5.8 GHz

High Frequency Technology



360° of Coverage



Fixture Integrated



0.2 - 200 fc

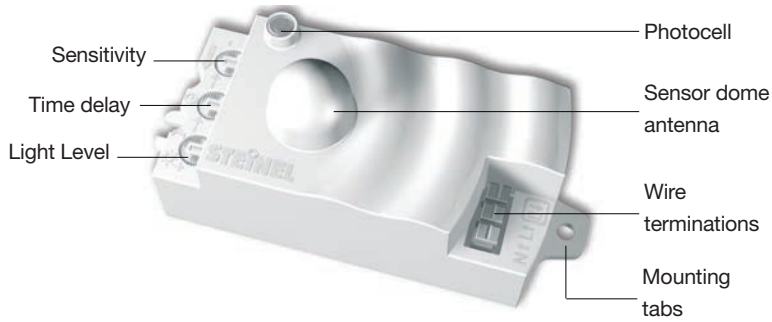


www.steinell.net

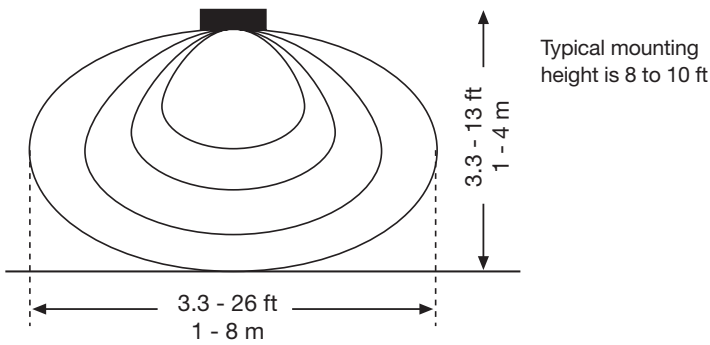
# HF LUM2-WR

## Fixture Integrated Sensor Module

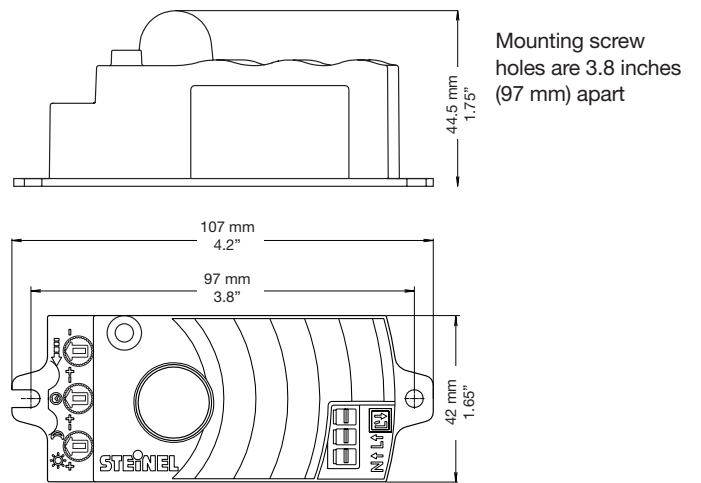
### Controls



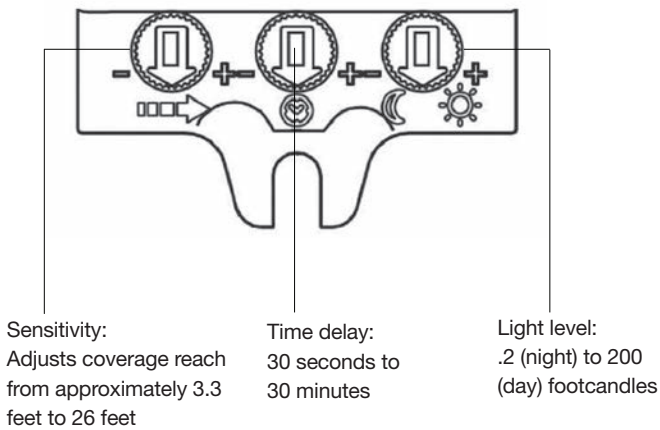
### Coverage



### Mounting



### Coverage Adjustments



### Wiring

