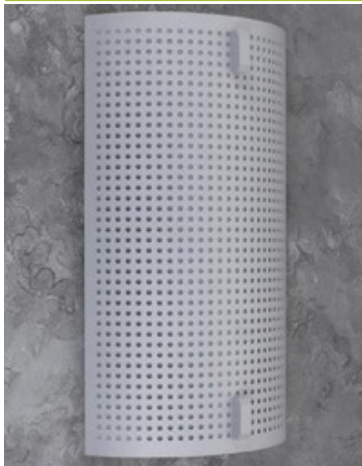


CONCORDE S LED



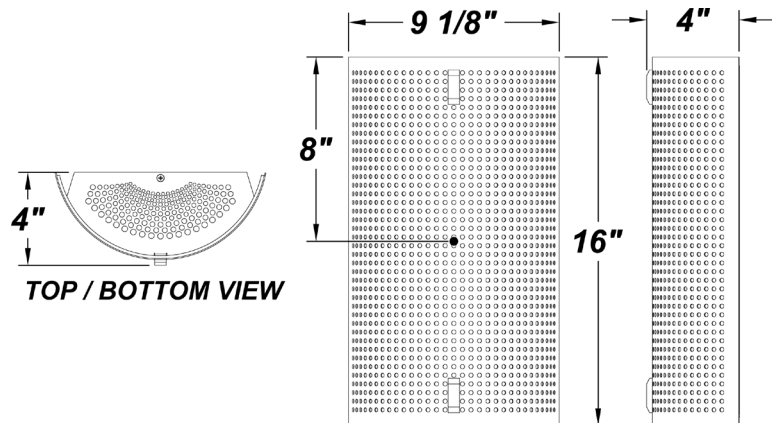
PROJECT :
TYPE :
ORDERING # :
COMMENTS :

FEATURES

- Steel Perforated Fascia w/ Matte Silver Powder Coat Finish
- Matte White Acrylic Diffuser
- Aluminum Mounting Pan w/ Hi-Reflectance White Powder Coat Finish
- Top & Bottom Perforated Covers
- Mounts Directly to 4" Junction Box (By Others)
- Mounting Hardware Included
- CSA Listed Dry Location For Wall Mounting
- ADA Compliant
- Awaiting IES Files, Lighting Facts, And Title 24 Labeling / Certification

DIMMING FEATURES

- Dimmable to <5%
- Dimmable With Either Triac or Electronic Dimmers
- Over-Current, Over-Voltage, and Short Circuit Protection
- Constant Current at 350 Milliamps
- UL Class 2 Driver - Power Factor >.90
- Estimated 50,000 Hours Life (L70)



ORDERING INFORMATION

Example : (CNCS - L25.0 - 120V - WAL - SM - 41K)

Matte Silver is Standard Finish

PRODUCT	SOURCE/WATTAGE	VOLTAGE	DIFFUSER	FINISH	OPTIONS
Concorde S	L25.0 - (2) 12.5W (40) LED Modules	120V - 120V 277V - 277V (50 / 60Hz)	WAL - White Acrylic	SM - Matte Silver TB - Textured Black AC - Antique Copper AS - Antique Silver BT - Bronze Mist CP - Copper KC - Kenworth Chrome SN - Sand SW - Swedish Steel BZ - Textured Bronze TW - Textured White RAL Colors or Custom Match - Consult Factory	30K - 3000K Color Temperature 25W Input = 60 Fixture Lumens Per Watt 35K - 3500K Color Temperature 25W Input = 61.8 Fixture Lumens Per Watt 40K - 4000K Color Temperature 25W Input = 63 Fixture Lumens Per Watt F - Fused

REPLACEMENT PARTS PART NO.

White Acrylic Lens 3015660

NOTES

We reserve the right to revise the design or components of any product due to parts availability or change in UL standards, without assuming any obligation or liability to modify any products previously manufactured, and without notice.

