

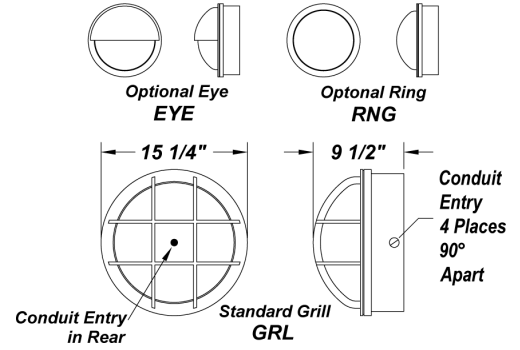
ASHWORTH LED



PROJECT :
TYPE :
ORDERING # :
COMMENTS :

FEATURES

- 380 Grade Die-Cast Aluminum Housing w/ Textured Black Polyester Powder Coat Finish
- Die-Cast Aluminum Grill (Standard) w/ Textured Black Polyester Powder Coat Finish
- Clear Prismatic Ribbed Molded Borosilicate Glass Lens
- Fully Silicone Gasketed Channel
- Stainless Steel Zinc Coated Screws
- Cast-In Template
- Mounts Direct to Flat Surface w/Four #8 Wall Anchors (Not Included)
- 0-10V Programmable Dimming Driver
- Surge Protector
- CSA Listed Wet Location For Wall or Ceiling Mount



SOURCE/WATTAGE	30K SPECIFICATIONS
L30.0 - 30.0W LED Board - Constant Current 1000 Milliamps Driver - 30.0W Input	L30.0 30K - 3000K Color Temp. - 34 fV, Color Temp = 3000K Nominal - 4855 LED Source Lumens - 161.8 LED Source Lumens Per Watt

ORDERING INFORMATION

Example : (AH - L30.0- ZE1000 - 100-277V- EYE - TB - 30K) Textured Black is Standard Finish

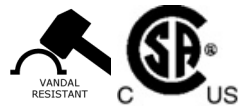
PRODUCT	SOURCE/WATTAGE	DRIVER OPTIONS	VOLTAGE	FASCIA	FINISH	OPTIONS
Ashworth	L30.0 - (80) LED Array	ZE1000 - 1000mA Line Voltage 4-Wire Programmable Dimming Driver (For L30.0) (Dimmable 0 - 10V)	100 - 277V	GRL - Ashworth Grill (Standard) EYE - Ashworth Eye RNG - Ashworth Ring	SM - Matte Silver TB - Textured Black AC - Antique Copper AS - Antique Silver BT - Bronze Mist CP - Copper SN - Sand SW - Swedish Steel BZ - Textured Bronze TW - Textured White RAL Colors or Custom Match - Consult Factory	30K - 3000K Color Temp 35K - 3500K Color Temp. 40K - 4000K Color Temp. TP - Tamper Resistant Screws PCL120 - Photocell 120V PCL277 - Photocell 277V F - Fused EB - Emergency Driver (120V - 277V Only) (Please Specify Voltage When Ordering)

REPLACEMENT PARTS

	PART NO.
Clear Prismatic Glass Lens	37042
GRL Fascia	5505599
EYE Fascia	5506599
RNG Fascia	5510999
(Please Specify Color of Fascia When Ordering)	

NOTES

**Definition of 40,000 hours: Lifetime Rating is Based on Lamp Manufacturers' LM80 Test Results Which Utilized an Exponentially Decaying Model, a Standard Used by The Department of Energy, as Well as by Other Manufacturers.



We reserve the right to revise the design or components of any product due to parts availability or change in UL standards, without assuming any obligation or liability to modify any products previously manufactured, and without notice.